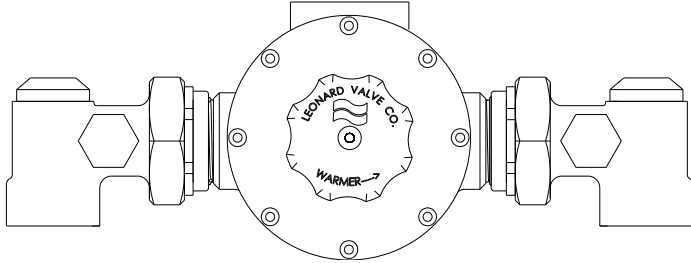


THERMOSTATIC MIXING VALVES



ECO-MIX™ LV-983-LF-_____

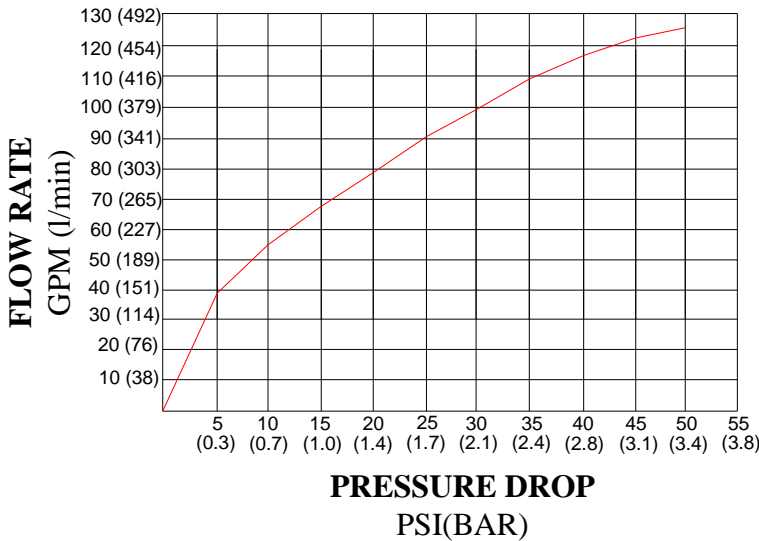
5-126 GPM (19-477 l/min)

- Thermostatic Water Mixing Valve with 5 GPM (19 l/min) minimum flow capacity
- 1-1/4" inlets, 1-1/4" outlet (32mm x 32 mm)
- Integral combination checkstops with strainers
- 125 PSI (8.6 BAR) maximum operating pressure
- Copper encapsulated thermostatic assembly with Teflon coated shuttle
- Locking temperature regulating handle set for 120°F(49°C)*
- Temperature adjustment range, 95-135°F (35-57°C) **
- Top or bottom supply/ connections
- Internal parts of stainless steel
- Integral wall support for easy mounting
- Rough Bronze Finish

OPTIONS

- ___ SUFFIX **IT** Inlet thermometers
- ___ SUFFIX **CP** Chrome plated finish
- ___ SUFFIX **LWS** Less wall support
- ___ SUFFIX **BDT** Ball valve with dial thermometer (shipped loose)

VALVE	PRESSURE DROP											
	MIN+ FLOW	5	10	15	20	25	30	35	40	45	50	PSI BAR
LV-983	5	39	55	68	79	91	99	109	117	122	126	GPM
	19	148	208	257	299	344	375	413	443	462	477	l/min



NOTE: Leonard Valve Company reserves the right of product or design modification without notice or obligation



WARNING: This product can expose you to chemicals including lead, which is known to the State of California to cause cancer. For more information, go to www.P65Warnings.Ca.gov

+NOTE: The valve will maintain temperature with 0.5GPM flow from the domestic hot water loop when properly installed near the hot water source with a continuously operating recirculation pump.

***NOTE:** A locking temperature regulator set for 120°F (49°C), is simply a mechanical setting to prevent unauthorized temperature set point changes. If incoming water is hotter than 150°F (65.5°C), the temperature of the factory test, the valve may deliver in excess of 120°F. **MUST BE RESET BY THE INSTALLER**

ASSE 1017 Certified

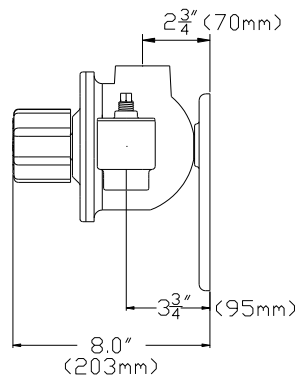
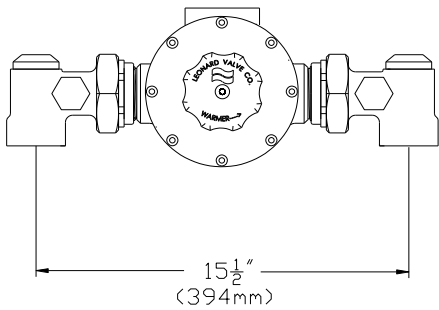


cUPC Certified

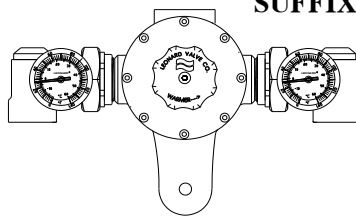


This product is certified to meet Low Lead requirements of wetted surface area containing less than 0.25% lead by weight

****NOTE:** For temperatures outside of this valve's stated range, please see our line of bi-metal valves.

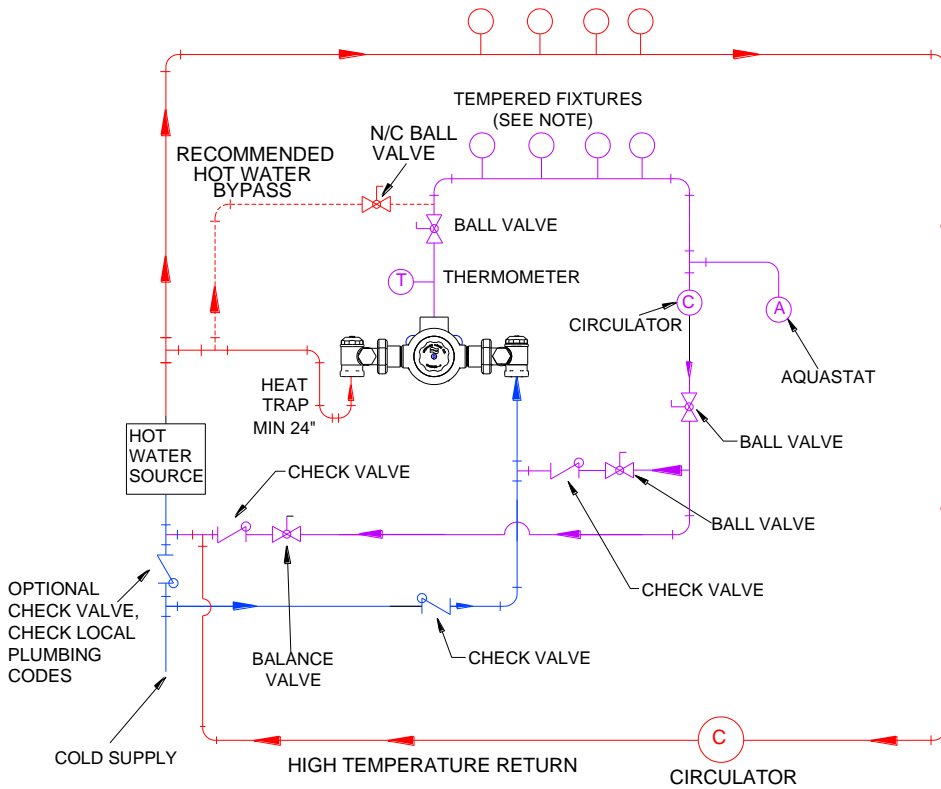


**SUFFIX BDT
SHIPPED LOOSE**



SUFFIX IT

HIGH TEMPERATURE FIXTURES (IF APPLICABLE)



CAUTION! All thermostatic water mixing valves have limitations. They will NOT provide the desired accuracy outside of their flow capacity range. Consult the Flow Capacity Chart and DO NOT OVERSIZE. Minimum flow must be no less than as indicated.

Engineer's Approval

Job # _____

Arch/Eng. _____

Contractor _____

PRINTED IN THE U.S.A.



1360 Elmwood Avenue, Cranston, RI 02910 USA

Phone: 401.461.1200 Fax: 401.941.5310

Email: info@leonardvalve.com

Web Site: <http://www.leonardvalve.com>