

# WALL MOUNTED SHOWER SYSTEMS

## surfashower®

### SS-PAM-200/3ISA-LR

#### PRESSURE ACTUATED MODELS

#### \_\_SS-PAM-200/3ISA-LR. Surfashower®

- PAM® -II, Pressure Actuated Shower Mixer
- Stainless steel pressure balancing piston
- Ligature resistant knob
- Built-in shutoff for single handle operation
- Color-coded dial
- Adjustable high temperature limit stop set for 110°F\* (43°C)
- Integral check stops
- H-06 institutional shower head, 2.5 GPM (9.5 l/min.) max
- Special cast mounting bracket
- Factory pre-assembled, 18 gauge stainless steel cover, #4 finish, with sloping top cap, regular bottom cap.
- Exposed parts chrome plated, vandal-resistant.
- 1/2" flexible stainless hose on inlets.
- Maximum operating pressure: 125 PSI (860 KPA)



VALVE IS ASSE 1016 listed



#### OPTIONS:

\_\_SUFFIX VX - Integral stainless steel extension to ceiling, specify length\_\_". See reverse side to calculate VX length

#### NOTES/DISCLAIMERS:

##### I. "Ligature resistant" disclaimer

**NOTE: This product has been designed to reduce the likelihood that it can be used as a mechanism for hanging.**

##### II. "Not a substitute" disclaimer

**This product IS NOT A SUBSTITUTE for the evaluation, treatment or appropriate supervision of persons at risk of suicide.**

Note: Leonard Valve Company reserves the right of product, or design modifications without notice or obligation.



**WARNING:** This product can expose you to chemicals including lead, which is known to the State of California to cause cancer. For more information, go to [www.P65Warnings.Ca.gov](http://www.P65Warnings.Ca.gov)

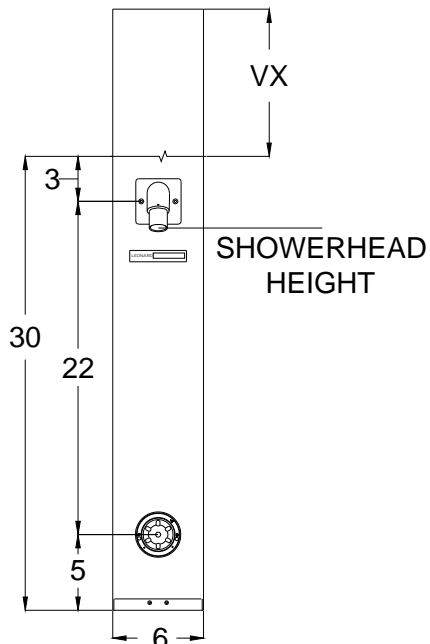
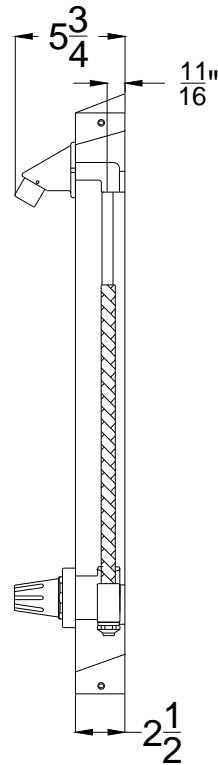
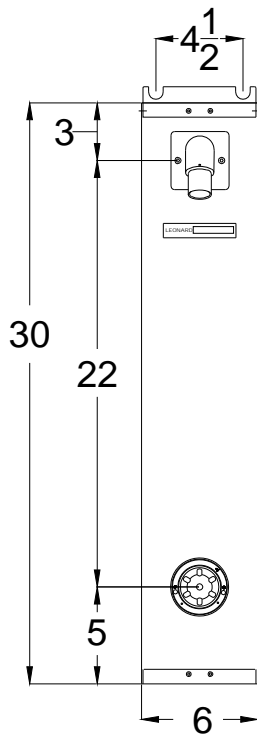
\*NOTE: A limit stop, set for 110°F (43°C), is simply a mechanical setting to prevent excessive handle rotation. If incoming water is hotter than 135°F (57°C), the temperature of the factory test, the valve when turned to full HOT may deliver water in excess of 110°F and the limit stop MUST BE RESET BY THE INSTALLER

<b>Engineer's Approval</b>	Job # _____
	Arch/Eng. _____
	Contractor _____



1360 Elmwood Avenue, Cranston, RI 02910 USA  
Phone: 401.461.1200 Fax: 401.941.5310  
Email: [info@leonardvalve.com](mailto:info@leonardvalve.com)  
Web Site: <http://www.leonardvalve.com>

# SS-PAM-200/3ISA-LR



**SUFFIX VX**  
**(For SS-PAM-200/3ISA)**  
**VX Length:**  
**To calculate:**  
**VX Length= Ceiling height minus**  
**shower head height minus 5"**  
**(127mm)**



1360 Elmwood Avenue, Cranston, RI 02910 USA  
 Phone: 401.461.1200 Fax: 401.941.5310  
 Email: [info@leonardvalve.com](mailto:info@leonardvalve.com)  
 Web Site: <http://www.leonardvalve.com>