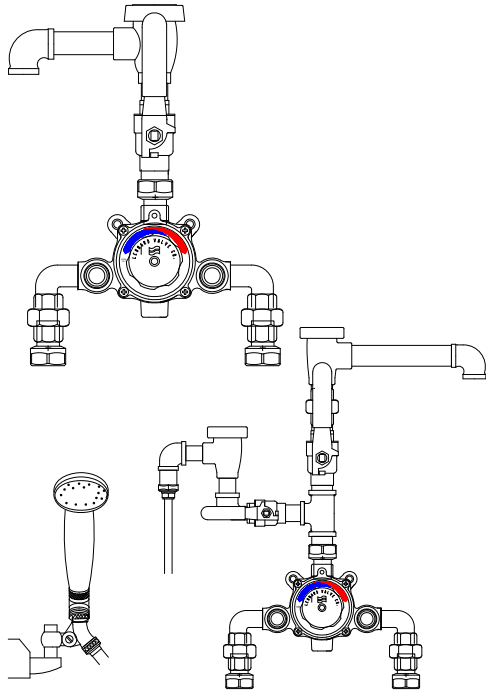


Thermostatic MIXING VALVES



Hydrotherapy Control Units

Whirlpool Bath
Arm-Leg-Hip-Lower Lumbar Bath

TM-356-___-LF

___ TM-356-26-LF 3/4" inlets and outlet *

- Thermostatic water mixing valve
- Dura-trol® solid bimetal thermostat directly linked to valve porting to control the intake of hot and cold water and compensate for supply temperature or pressure fluctuations. Dura-trol® is highly responsive and cannot be damaged by extremes in temperature.
- Adjustable high temperature limit stop set for 110°F (43°C)
- Integral checkstops, unions, wall support, cast lever handle
- Outlet volume control / shutoff, vacuum breaker
- Locking Temperature Regulators
- Factory assembled and tested
- Select valve piping finish below
- See Flow Capacity Chart to select correct size

___ TM-356-___ LF-W/HA

- Extra 1/2" hose attachment
- Ball valve shutoff
- Vacuum breaker
- 60" chrome hose, hand spray, wall hook
- Chrome plated finish only
- Factory assembled and tested

* Valve is ASSE 1017 listed



* Valve is CUPC listed



OPTIONS:

___ SUFFIX RF - Rough bronze finish

___ SUFFIX CP - Chrome plated finish

___ SUFFIX DT - Dial thermometer



WARNING: This product can expose you to chemicals including lead, which is known to the State of California to cause cancer. For more information, go to www.P65Warnings.Ca.gov

Engineer's Approval	Job # _____
	Arch/Eng. _____
	Contractor _____

CAUTION! All thermostatic water mixing valves have limitations. They will NOT provide the desired accuracy outside of their flow capacity range. Consult the Flow Capacity Chart and DO NOT OVERSIZE. Minimum flow must be no less than as indicated.

***NOTE:** A limit stop, set for 120°F (49°C), is simply a mechanical setting to prevent excessive handle rotation. If incoming water is hotter than 150°F (65.5°C), the temperature of the factory test, the valve when turned to full HOT may deliver water in excess of 120°F and the limit stop MUST BE RESET BY THE INSTALLER

Note: Leonard Valve Company reserves the right of product, or design modifications without notice or obligation.



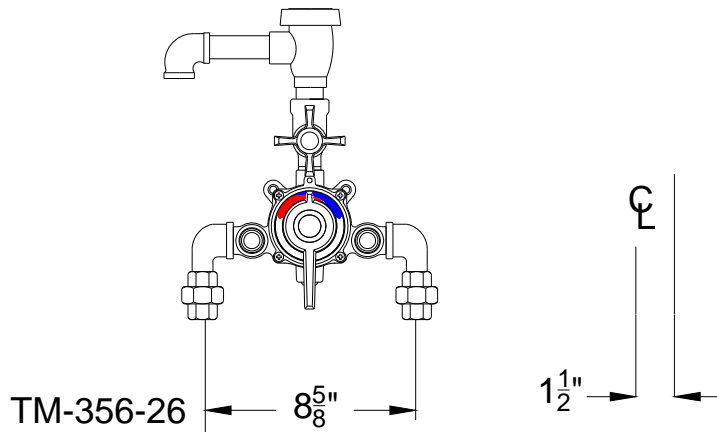
1360 Elmwood Avenue, Cranston, RI 02910 USA

Phone: 401.461.1200 Fax: 401.941.5310

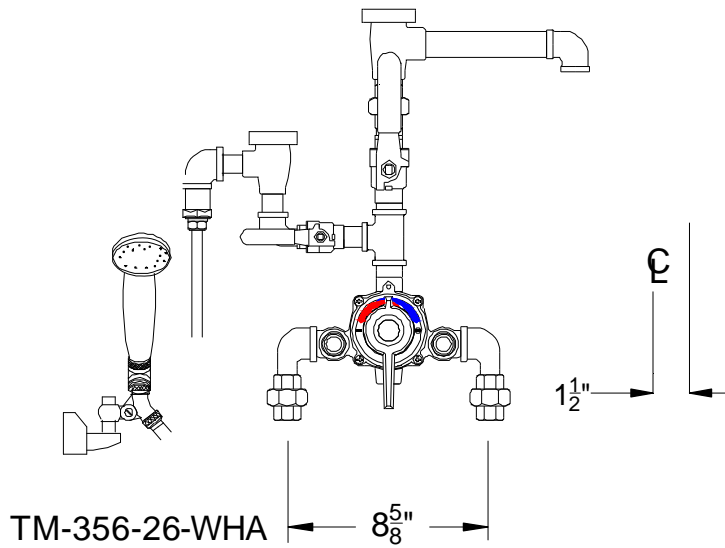
Email: info@leonardvalve.com

Web Site: <http://www.leonardvalve.com>

TM-356-15-20-26



TM-356-26 W/HA



MODEL	IN	OUT	MINIMUM FLOW (GPM) (l/min)	SYSTEM PRESSURE DROP (PSIG)										PSI BAR
				5	10	15	20	25	30	35	40	45	50	
TM-356-26	3/4"	3/4"	1.0 (4.0)	7 26	10 38	13 49	15 57	17 64	19 72	21 80	23 87	25 95	26 98	GPM l/min



1360 Elmwood Avenue, Cranston, RI 02910 USA

Phone: 401.461.1200 Fax: 401.941.5310

Email: info@leonardvalve.com

Web Site: <http://www.leonardvalve.com>