

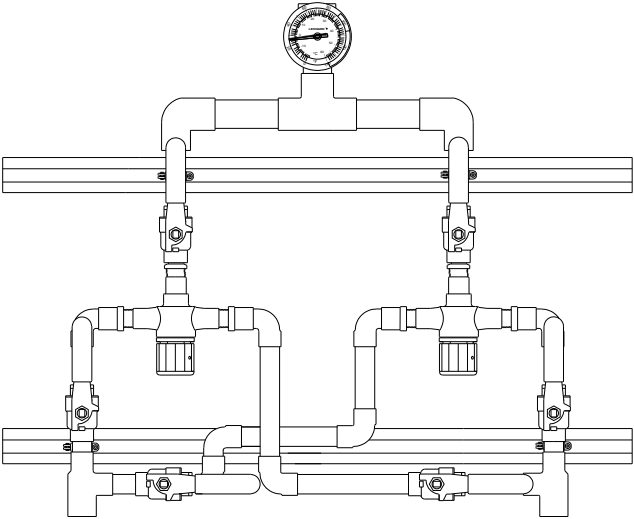
HIGH FLOW THERMOSTATIC POINT OF USE MIXING VALVE ASSEMBLY

270-4PS-LF

1-48 GPM (3.8-182 l/min)

MATERIALS:

- Minimum flow 1 GPM *
- 1" inlet / 1-1/4" outlet connections (copper tube)
- Locked temperature adjustment cap (vandal resistant)
- Copper encapsulated thermostat assembly with polymer thermoplastic shuttle
- Integral check valves on hot and cold inlets of each valve
- Maximum operating pressure: 125 PSI (860 KPA)
- Dial thermometer (range 0 to 140°F, -10 to 60°C) on mixed water outlet of the system
- Temperature adjustment range, 90-140°F (32-60°C) **
- Full port ball valve mounted downstream of each valve
- Inlet piping with full port ball valves on hot and cold supply inlets to two valves each
- Ability to service valves and keep flow to building
- System mounted on galvanized strut
- Factory pre-assembled and tested as a complete system



Valve assemblies are certified to meet Low-Lead requirements of wetted surface area containing less than 0.25% lead by weight. All other fittings and components, the sum total of which comprise the wetted surface of this product contains less than one quarter of one percent of lead by weight.

OPTIONS:

- ___ SUFFIX **IT** Inlet thermometers (shipped loose)
- ___ SUFFIX **TC** Test connection (shipped loose)

Certifications:

Valves are ASSE 1017, 1070-2020



Valves are CSA B125.70-20



Valves are CUPC



Valves are Certified to NSF61 thru the ASSE 1070 testing process

* **NOTE:** The valve will maintain temperature with 0.5 GPM flow from the domestic hot water loop when properly installed near the hot water source with a continuously operating recirculation pump.



WARNING: This product can expose you to chemicals including lead, which is known to the State of California to cause cancer. For more information, go to www.P65Warnings.Ca.gov

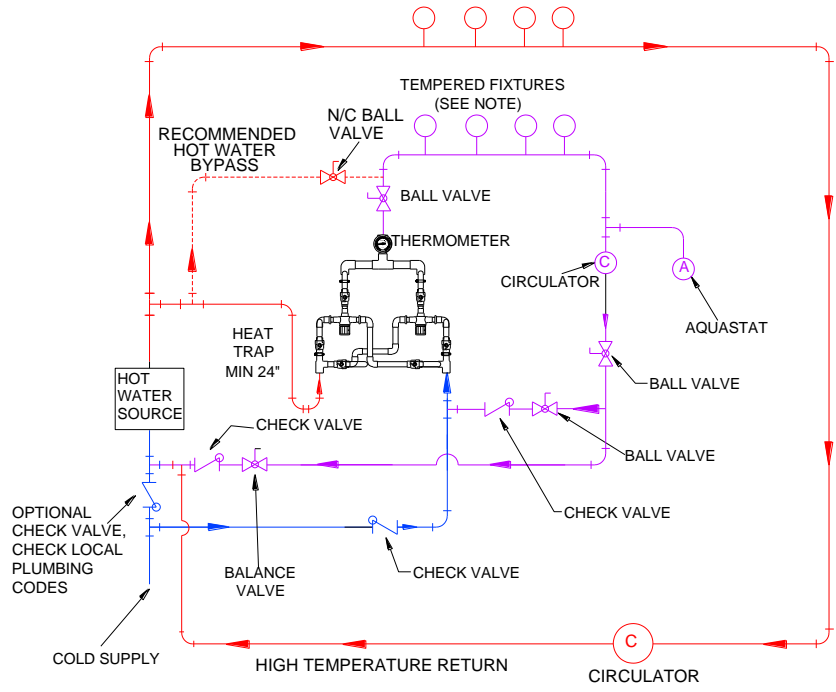
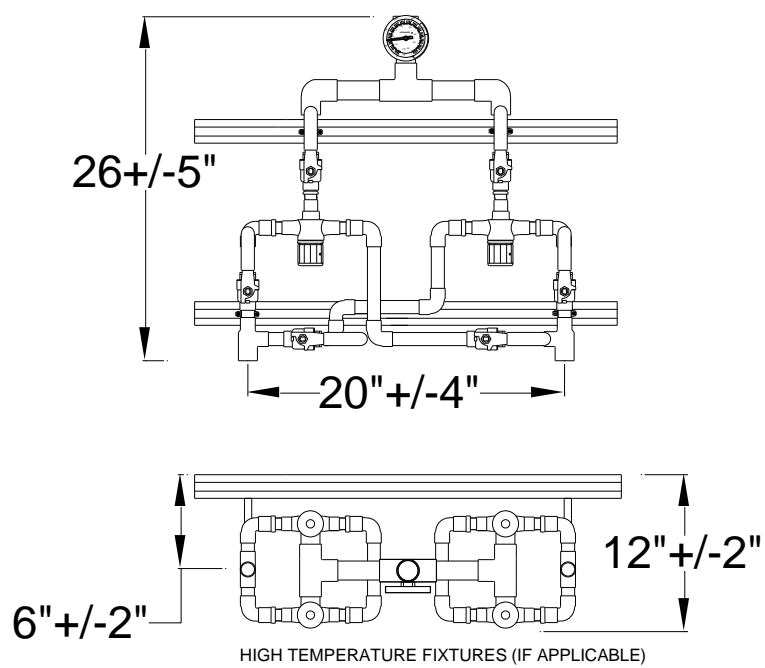
Product is non-cancellable and non-returnable from date from order with factory. Signed submittal required with purchase order.

**NOTE: For temperatures outside of this valve's stated range, please see our line of bi-metal valves.

Job # _____	Engineer's Approval
Arch/Eng. _____	
Contractor _____	



1360 Elmwood Avenue, Cranston, RI 02910 USA
 Phone: 401.461.1200 Fax: 401.941.5310
 Email: info@leonardvalve.com
 WEB: <http://www.leonardvalve.com>



MODEL	IN	OUT	MINIMUM FLOW (GPM)	PRESSURE DROP										PSI
				5	10	15	20	25	30	35	40	45	50	
270-4PS-LF	1"	1-1/4"	1	14	22	26	30	34	38	40	42	46	48	GPM
			1.9	53	83	98	114	129	144	151	159	174	182	L/MIN

CAUTION! All thermostatic water mixing valves have limitations. They will NOT provide the desired accuracy outside of their flow capacity range. Consult the Flow Capacity Chart and DO NOT OVERSIZE.

NOTE: A limit stop, set for 110°F (43°C), is simply a mechanical setting to prevent excessive handle rotation. If incoming water is hotter than 135°F (57°C), the temperature of the factory test, the valve when turned to full HOT may deliver water in excess of 110°F and the limit stop MUST BE RESET BY THE INSTALLER