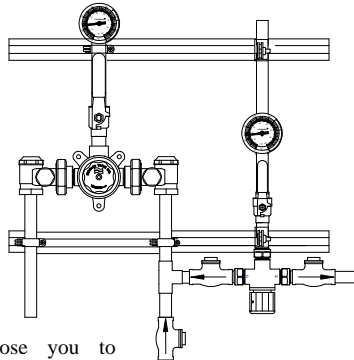


# INSTALLATION ADJUSTMENT SERVICE HIGHLOW THERMOSTATIC WATER MIXING VALVE

SERIES XL-32-RF-R34, XL-82-RF-R34, XL-32-LF-RF-R34, XL-82-LF-RF-R34

IMPORTANT! Provide valve serial number, (located on valve cover) when ordering parts!!



**WARNING:** This product can expose you to chemicals including lead, which is known to the State of California to cause cancer. For more information, go to [www.P65Warnings.Ca.gov](http://www.P65Warnings.Ca.gov)

## INSTALLATION

1. Valve should be installed at a location where it can easily be cleaned, adjusted or repaired.
2. The inlets are clearly marked on the valve body. Union angle strainer checkstops furnished must be installed on both supply lines as shown above.
3. A shutoff valve must be installed on the outlet pipe. Type XL valves do not have a built-in shutoff.
4. Use solder, or thread sealant sparingly. Supply pipes should be flushed before the valve is connected. Flush outlet pipe and valve as soon as it is connected.

**125 PSI (8.6 BAR) MAXIMUM OPERATING PRESSURE**

### CAUTION

All thermostatic water-mixing valves have limitations. They will not provide the desired accuracy outside of their flow capacity range. Consult the flow capacity chart on page 5.

**Minimum flow must be no less than as shown.**

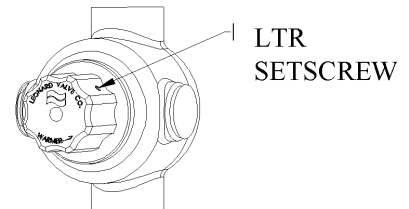
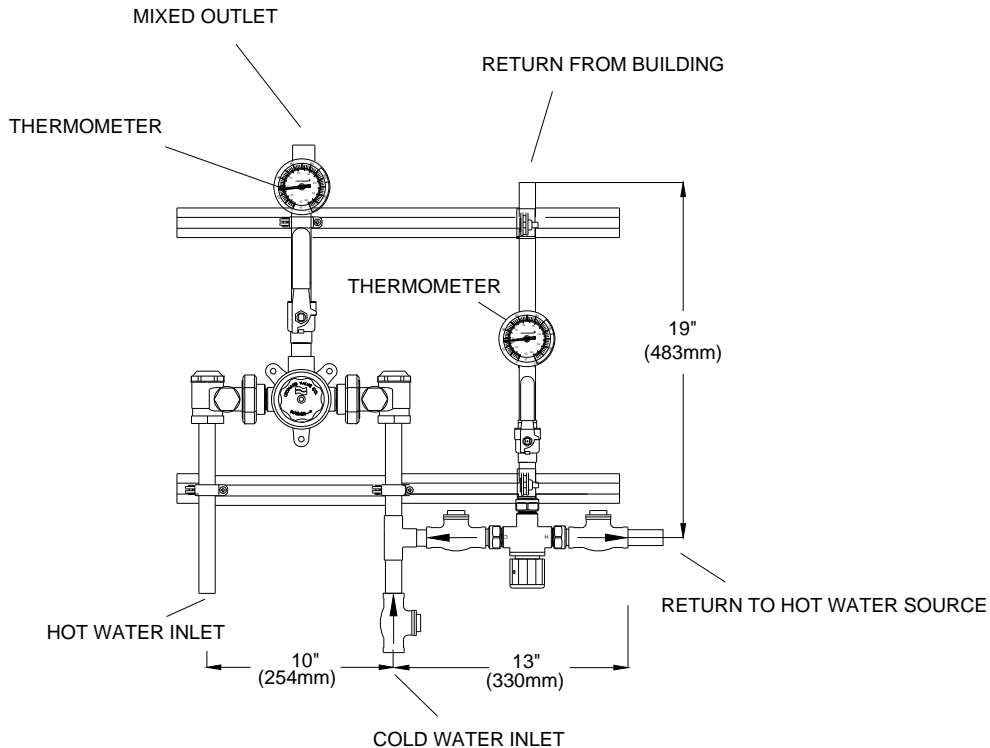
**REMEMBER! THIS IS A CONTROL SYSTEM WHICH MUST BE CLEANED AND MAINTAINED ON A REGULAR BASIS (SEE MAINTENANCE GUIDE AND RECORD MGR-1000).**

# INSTALLATION

## REQUIRED METHODS OF PIPING XL SERIES

### METHOD W

Required when **TEMPERED WATER IS CIRCULATED.**

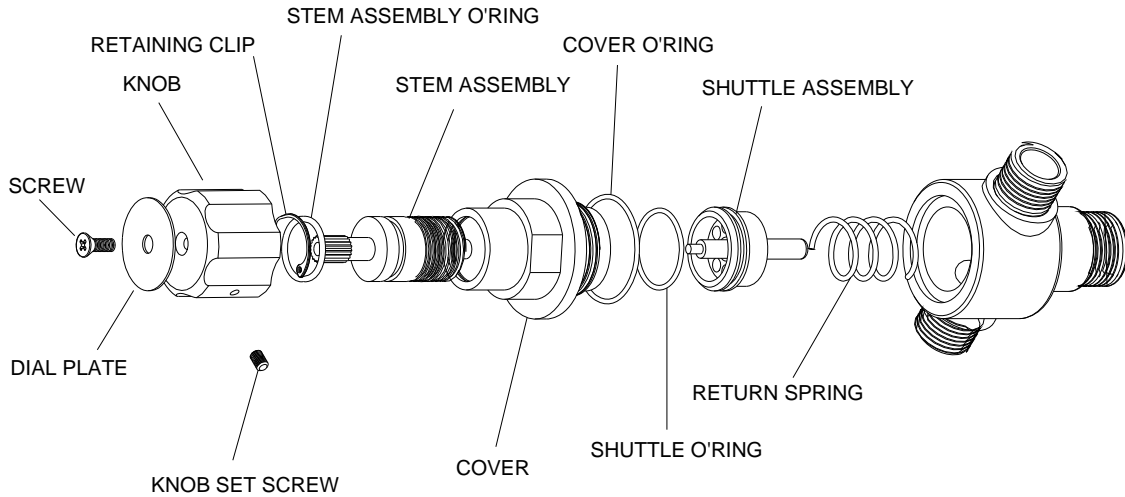


## OPERATION

1. Verify that the temperature of the hot water source is properly set and maintained. Shutoff and isolate the circulator pump.
2. Loosen LTR set screw located on temperature adjustment knob with allen wrench.
3. Turn on enough fixtures to flow approximately 5 GPM, turn knob clockwise until it stops (full cold) then counterclockwise until it stops (full hot), three times to exercise the thermostatic element.
4. Set mixing valve to the desired temperature, (See warning tag for temperature set point). Tighten LTR set screw.
5. Shut off all fixtures. Setup is complete.
6. Turn on circulator. With all fixtures still off, (no water flowing) observe the circulation temperature until it stabilizes.
7. Adjust 370 ARV counter clockwise slightly if warmer temperature is desired or clockwise if cooler water is desired. Allow to stabilize. Repeat until the desired recirculated temperature is set.

# MODEL 320/370ARV

Check dial plate on knob for model #



## DISMANTLING & CLEANING

1. Shut off hot and cold water to the valve as well as the valve outlet port.
2. Loosen lock screw on side of knob with 5/64" allen wrench.
3. Remove the knob screw on top of knob.
4. Remove temperature adjustment knob.
5. Remove valve cover, which includes the stem assembly.
6. The shuttle assembly can now be removed, cleaned and inspected. Be sure to check the condition of the shuttle o-ring and replace if necessary.
7. Lubricate the shuttle o-ring before installing the shuttle assembly.
8. Install the cover assembly including o-ring back onto valve and tighten.
9. Replace knob and knob screw.
10. **Valve temperature must be reset after any repairs or cleaning!!**

## TROUBLESHOOTING

1. Leaking water under knob, order gasket kit, replace stem assembly o-ring. Remove knob screw and knob, remove retaining clip, thread out the stem assembly and replace o-ring. Lubricate o-ring, thread stem into cover, replace retaining ring, knob and screw. **Valve temperature must be reset after any repairs or cleaning!!**
2. Leaking water between cover and body, order gasket kit, replace cover o-ring. Remove knob screw and knob and remove valve cover and replace o-ring. Replace valve cover, knob and knob screw. **Valve temperature must be reset after any repairs or cleaning!!**
3. Valve not controlling temperature even after cleaning, order complete rebuild kit. Remove knob screw and knob and remove valve cover. Replace shuttle assembly and return spring being sure to lubricate shuttle o-ring. Replace valve cover, knob and knob screw. **Valve temperature must be reset after any repairs or cleaning!!**

## REPAIR KITS

	MODEL 320 ARV	MODEL 370 ARV
Leaking water under knob. Leaking water between valve cover and body.	1/ WX Gasket Kit Shuttle o'ring Stem assembly o'ring Cover o'ring	1/ WX Gasket Kit Shuttle o'ring Stem assembly o'ring Cover o'ring
Valve will not control temperature after cleaning.	R/ WX Complete Rebuild Kit Return spring Shuttle assembly Shuttle o'ring Stem assembly o'ring Cover o'ring	R/ 270/370 Complete Rebuild Kit Return spring Shuttle assembly Shuttle o'ring Stem assembly o'ring Cover o'ring

# INSTALLATION CONTINUED

<b>WARNING</b>	
<p><b>WARNING!</b> This Thermostatic Mixing Valve has an Locking Temperature Regulator (LTR) which must be checked. If the temperature is too high, the installer <b>MUST RESET</b> this adjustment immediately. Always check the temperature of the mixed water after installation. Excessively hot water is <b>DANGEROUS AND MAY CAUSE SCALDING!</b></p>	<p>The LTR is factory set at approximately 120°F (49°C) with an incoming hot water supply temperature of 150°F (65°C) If the incoming hot water supply for your installation is higher than 150°F (65°C), the valve may deliver water in excess of 120°F (49)° and the LTR <b>MUST BE RESET BY THE INSALLER.</b></p>

## SERVICE

Leonard Type XL Thermostatic Water Mixing Valves are simple in design and may be easily cleaned, adjusted and repaired. If the installation is accessible, servicing may be completed without disconnecting the valve.

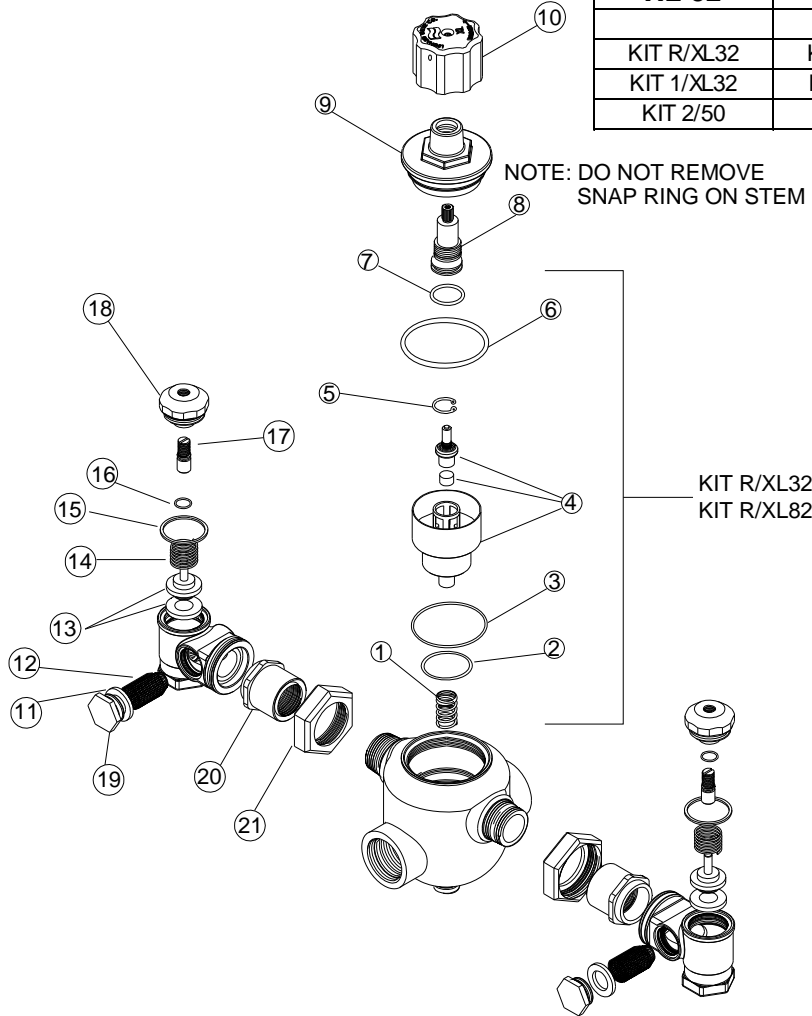
**NOTE:** Thermostatic Water Mixing Valves are **REGULATING** mechanisms, which must be regularly maintained to provide best performance. Frequency of cleaning depends on quality of local water conditions and usage. (See Maintenance Guide and Record MGR-1000).

## TROUBLESHOOTING INSTRUCTIONS

<b>ITEM:</b>	<b>PROBLEM:</b>	<b>RECOMMENDED REPAIR KITS:</b>
<b>PACKINGS &amp; GASKETS</b>	<ol style="list-style-type: none"> <li>1. Leak at stem.</li> <li>2. Leak between valve cover and base.</li> </ol>	<b>KIT 1/XL32 OR KIT 1/XL82</b>
<b>SHUTTLE ASSEMBLY</b>	<ol style="list-style-type: none"> <li>3. Valve delivers either all hot or all cold water, or will not mix consistently.</li> </ol>	<b>KIT R/XL32 OR R/XL82</b>
<b>CHECKSTOPS</b>	<ol style="list-style-type: none"> <li>4. Hot water bypass into cold line.</li> <li>5. Supplies cannot be shut off completely.</li> <li>6. Leak at checkstop bonnet.</li> </ol>	<b>KIT 2/50 (BOTH)</b>

**REMEMBER! THIS IS A CONTROL DEVICE WHICH MUST BE CLEANED AND MAINTAINED ON A REGULAR BASIS. (SEE MAINTENANCE GUIDE AND RECORD, MGR-1000).**

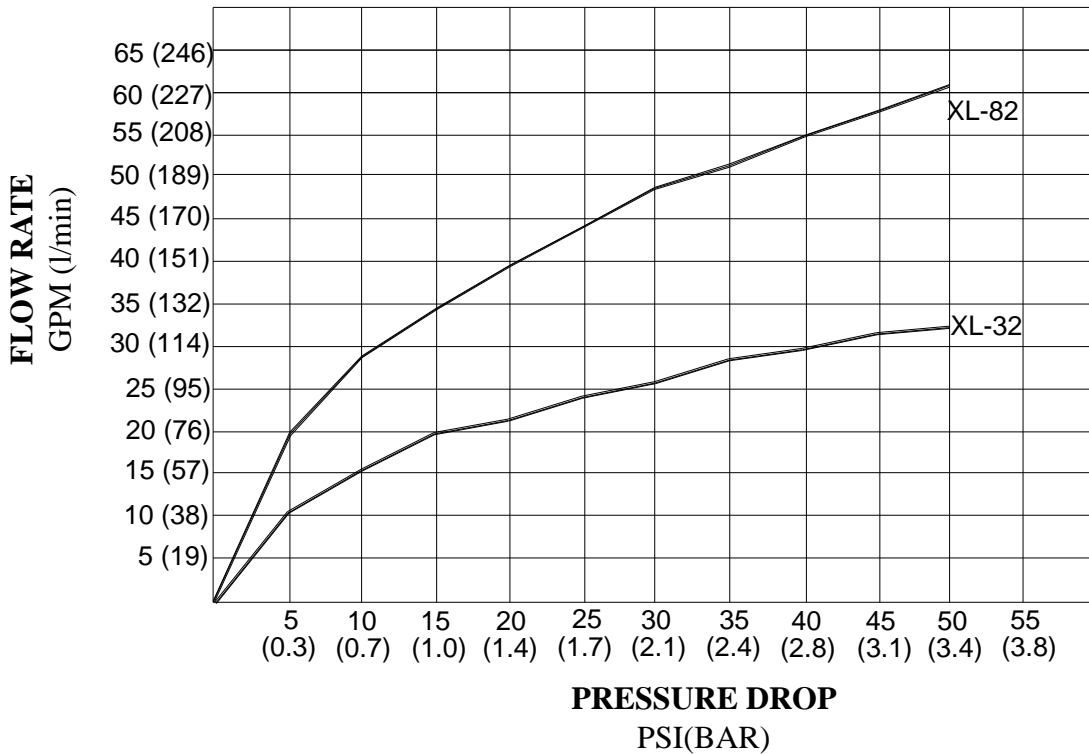
KIT #	KIT #	TYPE KIT	INCLUDES
<b>XL-32</b>	<b>XL-82</b>		
KIT R/XL32	KIT R/XL82	REPAIR KIT	1-7
KIT 1/XL32	KIT 1/XL82	O-RING	2,3,6,7
KIT 2/50	KIT 2/50	CHECK	11-16



ITEM #	DESCRIPTION	QTY.	PART # / KIT #	PART # / KIT #
			<b>XL-32</b>	<b>XL-82</b>
1	SPRING, RETURN	1	KIT R/XL32	KIT R/XL82
2	O'RING, LOWER SHUTTLE	1	KIT 1/XL32, KIT R/XL32	KIT 1/XL82, KIT R/XL82
3	O'RING, UPPER SHUTTLE	1	KIT 1/XL32, KIT R/XL32	KIT 1/XL82, KIT R/XL82
4	SHUTTLE ASSEMBLY	1	KIT R/XL32	KIT R/XL82
5	RETAINING RING, COVER	1	7411, KIT R/XL32	7611, KIT R/XL82
6	O'RING, COVER	1	KIT 1/XL32, KIT R/XL32	KIT 1/XL82, KIT R/XL82
7	O'RING, STEM	1	KIT 1/XL32, KIT R/XL32	KIT 1/XL82, KIT R/XL82
8	STEM ASSEMBLY (DO NOT REMOVE SNAP RING)	1	741900	761900
9	COVER	1	7405	7604
10	KNOB ASSEMBLY	1	764000	764000
11	PACKING, STRAINER CAP	2	014, KIT 2/50	014, KIT 2/50
12	SCREEN	2	013, KIT 2/50	013, KIT 2/50
13	LOWER STEM & PACKING	2	03, KIT 2/50	03, KIT 2/50
14	SPRING,CHECK	2	011, KIT 2/50	011, KIT 2/50
15	PACKING, BONNET	2	05, KIT 2/50	05, KIT 2/50
16	O'RING, UPPER STEM	2	MU-5A, KIT 2/50	MU-5A, KIT 2/50
17	STEM, UPPER CHECK	2	MU-4A	MU-4A
18	BONNET	2	2	2
19	STRAINER CAP	2	6	6
20	SWIVEL	2	74-04-1	04/50
21	SWIVEL NUT	2	09/50	09/50

# FLOW CAPACITIES

VALVE	PRESSURE DROP											
	MIN FLOW	5	10	15	20	25	30	35	40	45	50	PSI
		0.3	0.7	1	1.4	1.7	2.1	2.4	2.8	3.1	3.4	BAR
XL-32	1	11	16	20	22	24	26	28	30	32	33	GPM
	3.8	42	61	76	83	91	98	106	114	121	125	l/min
XL-82	1	19	28	34	39	43	48	51	55	58	61	GPM
	3.8	72	106	129	148	163	182	193	208	219	231	l/min



## LIMITED WARRANTY

Leonard Valve Company warrants the original purchaser that products manufactured by them (not by others) will be free from defects in materials and workmanship under normal conditions of use, when properly installed and maintained in accordance with Leonard Valve Company's instructions, for a period of one year from date of shipment. During this period the Leonard Valve Company will at its option repair or replace any product, or part thereof, which shall be returned, freight prepaid, to the Leonard factory and determined by Leonard to be defective in materials or workmanship. There are no warranties, express or implied, which extend beyond the description contained herein. There are no implied warranties of merchantability or of fitness for a particular purpose. In no event will Leonard be liable for labor or incidental or consequential damages. Any alteration or improper installation or use of the product will void this limited warranty.

**1360 Elmwood Avenue, Cranston, RI 02910 USA**

**Phone: 401.461.1200 Fax: 401.941.5310**

**Email: [info@leonardvalve.com](mailto:info@leonardvalve.com)**

**Web Site: <http://www.leonardvalve.com>**