

6700 ADVANTAGE™

PRESSURE ACTUATED MIXING VALVE WITH INTEGRAL DIAL THERMOMETER



½" inlets, ½" top outlet

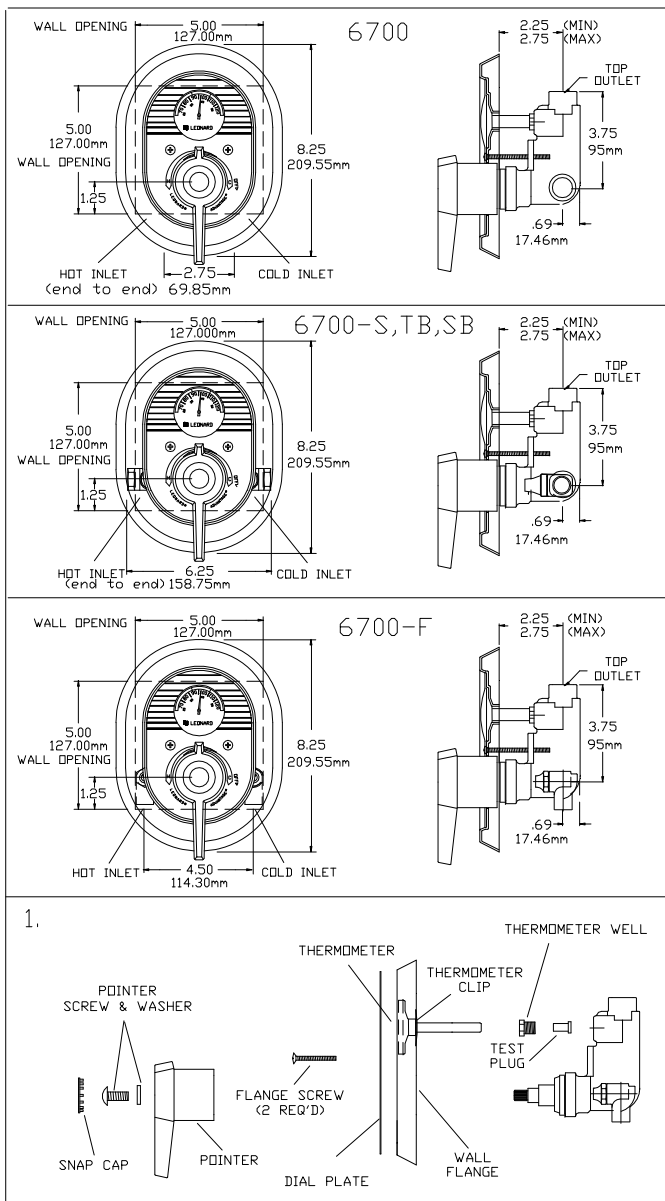
INSTALLATION INSTRUCTIONS

1016

Serial No. AV-_____



WARNING: This product can expose you to chemicals including lead, which is known to the State of California to cause cancer. For more information, go to www.P65Warnings.Ca.gov



1. Valve must **NOT** be sealed in wall with plaster or tile. Cover screws and inlet fittings **MUST** be accessible for servicing.
2. It is recommended that the valve be furnished with inlet stops or checkstops on each supply.
3. Install hot to left inlet and cold to right inlet (see H and C marks on valve body)
4. Pipe cement, or solder flux, must be used sparingly. After connections are made to the valve, flush pipes thoroughly to remove dirt and excess materials, which may become lodged on the working parts of the valve.
5. Attach protective cover, which serves as a guide for finish wall line after piping connections have been made.
6. **IMPORTANT:** This valve is designed with a top outlet only. For tub/shower, shower/hand shower or other installations, an inline diverter valve must be installed on the outlet pipe (see installation drawings, page 4).
7. After the valve is installed as noted above, recheck and reset the adjustable high temperature limit stop (see instructions, page 2)

WARNING

WARNING: THIS MIXING VALVE IS EQUIPED WITH AN ADJUSTABLE HIGH TEMPERATURE LIMIT STOP FACTORY SET AT APPROXIMATELY 110°F (43°C) WITH AN INCOMING HOT WATER TEMPERATURE OF 135°F (57°C). IF INCOMING HOT WATER IS HIGHER THAN 135°F (57°C), THE VALVE WHEN TURNED TO FULL HOT MAY DELIVER WATER IN EXCESS OF 110°F (43°C), AND THE HIGH TEMPERATURE LIMIT STOP MUST BE RESET BY THE INSTALLER, (SEE REVERSE).

8. Remove test plug from thermometer well.
9. Mount the handle gasket wiper to the back of the wall flange.
10. Mount the wall flange to the valve body, carefully inserting dial thermometer into the thermometer well, using even force, being careful not to force the thermometer as o-rings could possibly be pinched, tighten the two wall flange screws.
11. We recommend to seal the flange to the wall with silicone to prevent water from penetrating the wall.
12. Attach the pointer to the valve stem (using the pointer screw with loctite #242 if required and washer), and insert snap cap. The top (short) end of the pointer should point to "OFF" on the dial plate.

1360 Elmwood Avenue, Cranston, RI 02910 USA

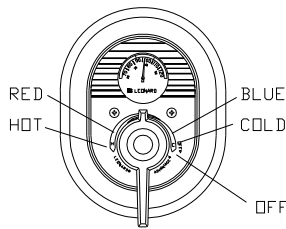
Phone: 401.461.1200 Fax: 401.941.5310

Email: info@leonardvalve.com

Web Site: <http://www.leonardvalve.com>

OPERATION

The 6700 is a pressure-actuated water mixing valve which will compensate for changes in pressure of hot and cold supplies and maintain bathing temperatures. The easy to read dial with direction indicators helps to eliminate confusion as to where the handle should be located for a particular temperature. Turn the handle counter-clockwise from the "OFF" position through the BLUE area (or COLD) area on the dial plate, the shower is on and temperature is cold. As the handle is turned toward the RED (or HOT) area, shower temperature becomes progressively WARMER until the high temperature limit is reached in the full "HOT" position. To turn OFF move handle back in clockwise direction to the "OFF" position.

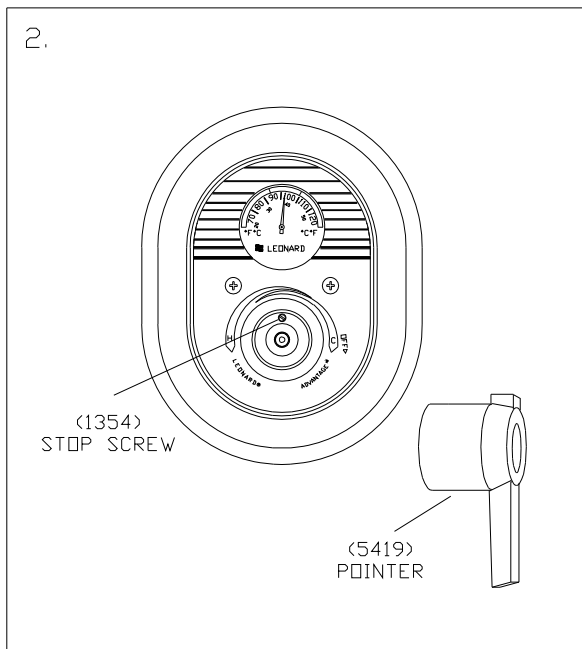


SERVICING INSTRUCTIONS

1. Remove escutcheon pointer (5419) and wall flange (6622) and dial thermometer (6628) (DWG'S 1 & 3).
2. Turn off hot and cold supplies.
3. Temporarily place escutcheon pointer on spline and turn LEFT to maximum "HOT" position. Unscrew cover and remove complete interior assembly (See DWG 4).
4. If valve will not shut off (ie. it drips), replace PV-8-1 upper packing, PV-2 lower packing, and inspect upper and lower valve seats in PV-3 sleeve (DWG 5).
5. If valve will not mix properly, piston in PV-CR-2 control rod group may be sticking due to some deposit or foreign matter (DWG 5). To free piston:
 - a. Tap either end of control rod against wooden surface or hit with plastic mallet.
 - b. Remove PV-2 packing and screw and tap piston loose with a small drift pin.
 - c. Submerge lower end of PV-CR-2 control rod group in non-corrosive cleaning solution and flush with clean water.

WARNING

WARNING: THIS MIXING VALVE IS EQUIPPED WITH AN ADJUSTABLE HIGH TEMPERATURE LIMIT STOP FACTORY SET AT APPROXIMATELY 110°F (43°C) WITH AN INCOMING HOT WATER TEMPERATURE OF 135°F (57°C). IF INCOMING HOT WATER IS HIGHER THAN 135°F (57°C), THE VALVE WHEN TURNED TO FULL HOT MAY DELIVER WATER IN EXCESS OF 110°F (43°C), AND THE HIGH TEMPERATURE LIMIT STOP MUST BE RESET BY THE INSTALLER, (SEE REVERSE).

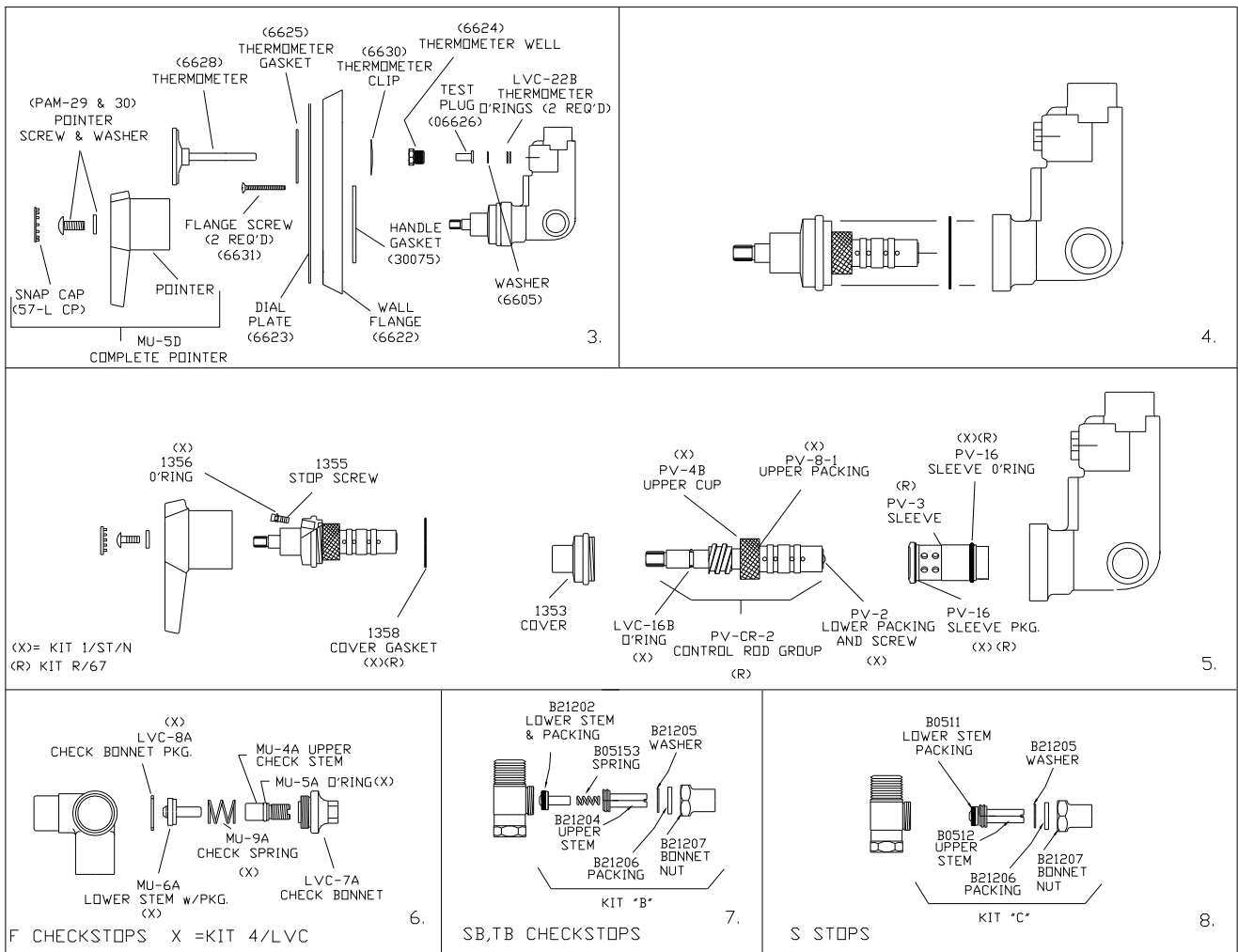


TO RESET HIGH TEMPERATURE LIMIT STOP (DWG 2.):

1. Remove pointer (5419). Loosen 1354 stop screw but DO NOT REMOVE.
2. Replace pointer and turn left or right until the valve is delivering the highest temperature of **110°F (43°C) or LOWER** and remove pointer.
3. Tighten 1354 Stop Screw.
4. Reinstall pointer so the BLACK DOT on the pointer is aligned with the RED DOT on the dial plate then shut valve off.

IMPORTANT! TEST THE NEW HIGH TEMPERATURE SETTING BY HOLDING A THERMOMETER UNDER THE FLOW OF WATER TO BE CERTAIN IT IS AS DESIRED. HOT WATER IN EXCESS OF 110°F (43°C) IS DANGEROUS AND MAY CAUSE SCALDING!!

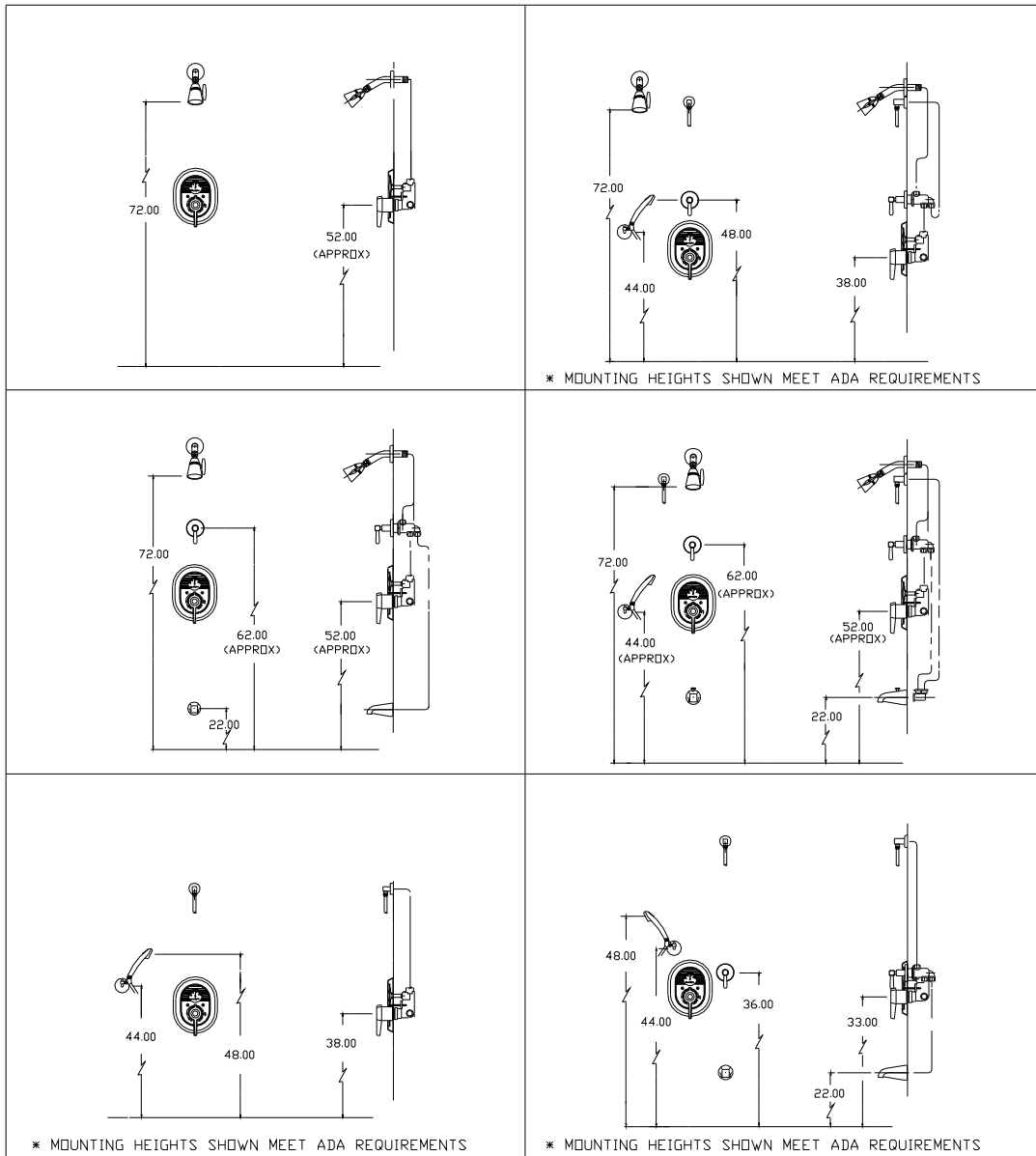
REMEMBER!! THIS IS A CONTROL DEVICE WHICH MUST BE CLEANED AND MAINTAINED ON A REGULAR BASIS, (SEE MAINTENANCE GUIDE AND RECORD MGR 1000).



SERVICING INSTRUCTIONS

	SYMPTOM:	KIT REQUIRED:	PARTS INCLUDED
PACKINGS & O'RINGS	1. Leak at handle. 2. Valve will not shut off completely. 3. Valve is difficult to pull apart. 4. Leak at stop screw.	Kit 1/ST/N	PV-2, PV-4B, PV-8-1, LVC-16B, 1358, 1356, PV-16
CONTROL ROD GROUP	5. Valve delivers either all hot or all cold water, or will not mix consistently.	Kit R/67	1358, PV-CR-2, PV-3, PV-16
INSERTED SEAT	6. After replacing packings and O'rings, valve will not shut off completely.		PV-3, PV-16
CHECKSTOPS, STOPS	7. Supplies cannot be shut off completely. 8. Leak at checkstop (or stop) bonnet or stem.		SEE DWG. #6, 7, OR 8 ABOVE FOR REPAIR KITS

INSTALLATION



LIMITED WARRANTY

Leonard Valve Company warrants the original purchaser that products manufactured by them (not by others) will be free from defects in materials and workmanship under normal conditions of use, when properly installed and maintained in accordance with Leonard Valve Company's instructions, for a period of one year from date of shipment. During this period the Leonard Valve Company will at its option repair or replace any product, or part thereof, which shall be returned, freight prepaid, to the Leonard factory and determined by Leonard to be defective in materials or workmanship. There are no warranties, express or implied, which extend beyond the description contained herein. There are no implied warranties of merchantability or of fitness for a particular purpose. In no event will Leonard be liable for labor or incidental or consequential damages. Any alteration or improper installation or use of the product will void this limited warranty.

1360 Elmwood Avenue, Cranston, RI 02910 USA

Phone: 401.461.1200 Fax: 401.941.5310

Email: info@leonardvalve.com

Web Site: <http://www.leonardvalve.com>