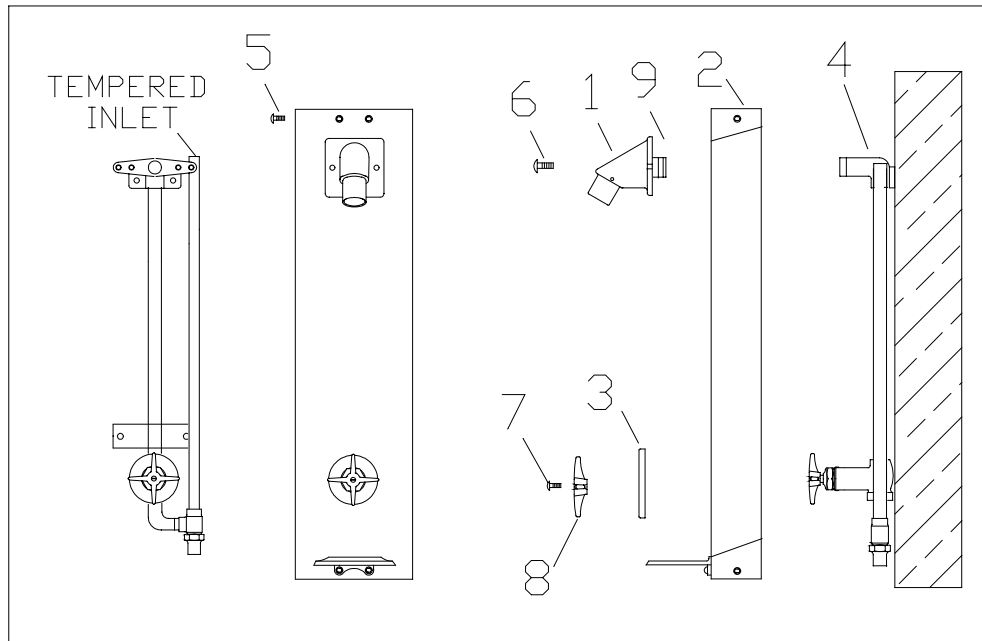


SS-VO surfashower[®]

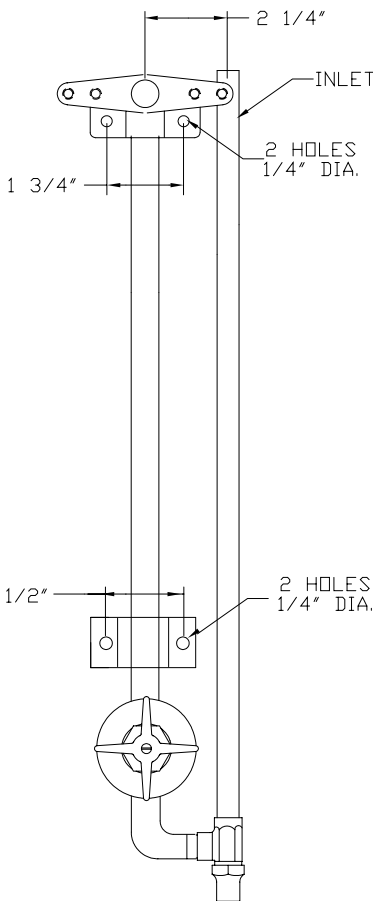
1/2" inlet

INSTALLATION INSTRUCTIONS



1. Remove item (6) 2 #1/4-20 X 3/4" long allen screws in showerhead, and remove showerhead (1).
2. Remove (7) handle screw, and remove handle
3. Remove escutcheon on valve (3).
4. Remove stainless steel cover (2).
5. Mount valve and piping assemble (4) directly to wall at desired height, using the integrally cast mounting fittings. See page 2.
6. Connect tempered water to the inlet. Use solder flux sparingly. After connections are made, flush pipes thoroughly to remove dirt and excess materials.
7. Replace cover, and reassemble in reverse order. (Note: when re-installing showerhead, be carefull not to cut o'ring (9) TM-25-6B on back of showerhead).
8. Screws for end caps (5) are #10-24 X 3/8" long allen screws.

Mounting Dimensions



1. Valve is furnished with an inlet stop on supply.
2. Solder flux must be used sparingly. After connections are made to the valve, flush pipes thoroughly to remove dirt and excess materials, which might become lodged on the working parts of the valve.

OPERATION

The SS-VO shower valve is designed for panel mount installation. Provides for easy maintenance.

MAINTENANCE

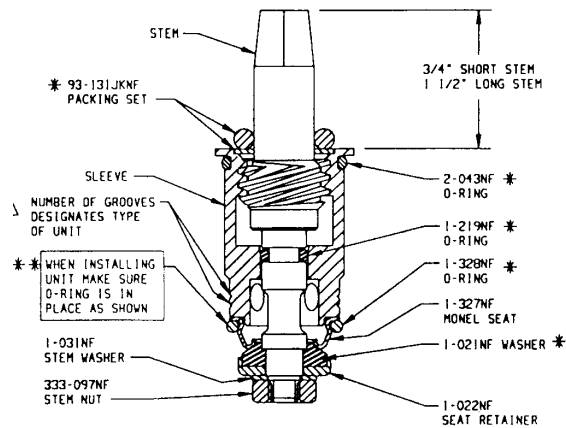
To service valve, first shut off inlet supply. Complete cartridge may be removed through front cover of panel. Replacement cartridge (Part No. 1277NF).

HOT WATER IN EXCESS OF 110°F IS DANGEROUS AND MAY CAUSE SCALDING!!

STYLE 'XT' U.S. PAT. 5,316,039
THE CHICAGO FAUCET CO.

* JIFFY KIT 1277NF FOR QUATURN AND SLO-COMPRESSION UNITS CONTAINS PARTS MARKED WITH ASTERISK.

** CAUTION - CLOSE UNIT BEFORE INSTALLING IN FAUCET BODY.



- BEFORE INSTALLING A NEW CARTRIDGE FLUSH LINES COMPLETELY.
- ALWAYS HAVE A NEW CARTRIDGE IN THE CLOSED POSITION WHEN INSTALLING INTO VALVE.
- TO INSTALL RIGHT HAND CARTRIDGE. PUSH CARTRIDGE INTO BODY UNTIL IT SEATS. ADD CAP NUT AND TIGHTEN HAND TIGHT. ADD HANDLE AND ROTATE TO CLOSED POSITION. FULLY TIGHTEN CAP NUT TO 25 FT. LBS. TORQUE.
- TO INSTALL LEFT HAND CARTRIDGE. PUSH CARTRIDGE INTO BODY UNTIL IT SEATS. ADD CAP NUT AND TIGHTEN HAND TIGHT. ADD HANDLE AND ROTATE TO OPEN POSITION. FULLY TIGHTEN CAP NUT TO 25 FT. LBS. TORQUE. RETURN HANDLE TO OFF POSITION.
- CLEAN FAUCET FINISH WITH SOAP AND WATER ONLY.

△ GROOVE INDEX

- 1 - RIGHT HAND QUATURN CARTRIDGE
- 2 - LEFT HAND QUATURN CARTRIDGE
- 3 - RIGHT HAND SLO-COMPRESSION CARTRIDGE
- 4 - LEFT HAND SLO-COMPRESSION CARTRIDGE

LIMITED WARRANTY

Leonard Valve Company warrants the original purchaser that products manufactured by them (not by others) will be free from defects in materials and workmanship under normal conditions of use, when properly installed and maintained in accordance with Leonard Valve Company's instructions, for a period of one year from date of shipment. During this period the Leonard Valve Company will at its option repair or replace any product, or part thereof, which shall be returned, freight prepaid, to the Leonard factory and determined by Leonard to be defective in materials or workmanship. There are no warranties, express or implied, which extend beyond the description contained herein. There are no implied warranties of merchantability or of fitness for a particular purpose. In no event will Leonard be liable for labor or incidental or consequential damages. Any alteration or improper installation or use of the product will void this limited warranty.

1360 Elmwood Avenue, Cranston, RI 02910 USA

Phone: 401.461.1200 Fax: 401.941.5310

Email: info@leonardvalve.com

Web Site: <http://www.leonardvalve.com>