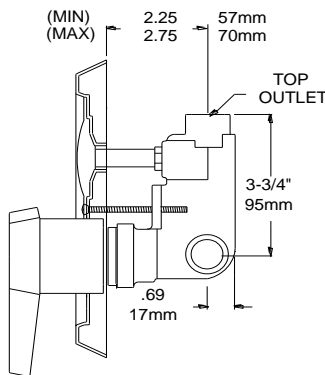
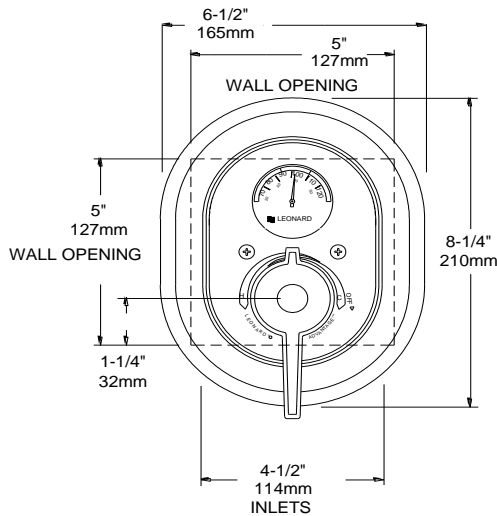


# PRESSURE ACTUATED SHOWER

# ADVANTAGE®

6700-F Series, 1/2" inlets, 1/2" top outlet

ADVANTAGE® 6700-F



- Pressure Actuated Mixer
- Durable stainless steel balancing piston
- Built-in shutoff for single handle operation
- Removable one piece upper and lower cup seat
- Internal parts of bronze and stainless steel
- Integral dial thermometer Bimetal element
- Range 70 to 120°F, 20 to 50°C
- Color coded dual scale; Blue 70 to 90°F, (21 to 32°C), green: 90 to 105°F (32 to 40°C), Red: 105 to 120°F (40 to 49°C (C° shown below)
- Shatterproof convex Lexan® crystal
- Type #304 stainless steel case, bezel and stem, (hermetically sealed)
- ADA compliant
- Adjustable high temperature limit stop set for 110°F (43°C)
- Cast wall flange and lever handle, chrome plated
- Color coded dial, OFF through H (HOT), with directional indicators
- Maximum operating pressure 125 PSI/860 KPA
- Minimum flow 1.5 GPM (5.7 l/min)
- Capacity of 4 GPM (15 L/min)
- Angle checkstops on inlets

Valve is ASSE 1016 – Type P Certified



Valve is CSA B.125-16 – Type P Certified



•Note: Jan, 2015 the F-check option became standard



**WARNING:** This product can expose you to chemicals including lead, which is known to the State of California to cause cancer. For more information, go to [www.P65Warnings.Ca.gov](http://www.P65Warnings.Ca.gov)

<b>Engineer's Approval</b>	Job # _____
	Arch/Eng. _____
	Contractor _____



1360 Elmwood Avenue, Cranston, RI 02910 USA

Phone: 401.461.1200 Fax: 401.941.5310

Email: [info@leonardvalve.com](mailto:info@leonardvalve.com)

Web Site: <http://www.leonardvalve.com>