

# THERMOSTATIC MIXING VALVE



## SS-7600-100/3ISA

All Leonard Model 7600 Thermostatic Shower Valves have limitations. Please keep in mind that per the ASSE 1016-2011 Performance Standard, Harmonized along with ASME and CSA, it dictates inlet conditions of equal pressures, 45 PSI on both Hot and Cold Inlets, in addition to a Hot supply temperature range of 140 deg F- 180 deg F. Significant deviations from those conditions stated above will alter performance expectations.

<b>Engineer's Approval</b>	Job # _____
	Arch/Eng. _____
	Contractor _____

# surfashower®

## Thermostatic Models

Valve is ASSE 1016 Type T Listed 

**SS-7600-100/3ISA**

**SS-7600-102**

**SS-7600-104**

**SS-7600-H15**

**SS7600-100/3ISA**

- Copper encapsulated thermostat assembly with brass shuttle, compensates for temperature fluctuations induced by water temperature and pressure changes
- Built-in shutoff for single handle operation
- Integral checkstops
- Cast wall flange and lever handle, polished chrome plated
- Maximum operating pressure: 125 PSI (860 KPA)
- Adjustable high temperature limit stop set for 110°F\* (43°C)
- Color-coded dial
- ½" flexible stainless steel hose on inlets
- Capacity of 4 GPM (15 L/min)
- H-06 institutional shower head, 2.5 GPM (95 l/min.) max.
- Exposed parts chrome plated, vandal resistant
- Maximum supply pressure: 125 PSI (860 KPA)
- 18 Ga. Stainless steel cover
- Soap dish
- Factory assembled and tested

### \_\_SS-7600-102

- H-10 (H-01 showerhead with institutional base) volume control, ball joint shower head 2.5 GPM (9.5 l/min.)

### \_\_SS-7600-104

- H-07 (H-03 showerhead with institutional base) adjustable spray ball joint shower head 2.5 GPM (9.5 l/min.)

### \_\_SS-7600-H15

- H-15 (H-14 showerhead with institutional base) adjustable spray ball joint shower head 1.5 GPM (5.7 l/min)

### OPTIONS:

\_\_SUFFIX VX - Integral stainless steel extension to ceiling, specify length \_\_\_\_". See reverse side to calculate VX length

\_\_SUFFIX C102S - C102S Brass showerhead 2.0 GPM flow rate

\_\_SUFFIX ADJ- 3ISA ONLY Adjustable shower head 2.5 GPM (9.5 l/min)

\_\_SUFFIX 1.5- 3ISA ONLY H-06 Shower head with 1.5 GPM flow rate



**WARNING:** This product can expose you to chemicals including lead, which is known to the State of California to cause cancer. For more information, go to [www.P65Warnings.Ca.gov](http://www.P65Warnings.Ca.gov)

Note: Leonard Valve Company reserves the right of product, or design modifications without notice or obligation.

 **LEONARD®**  
WATER TEMPERATURE CONTROLS

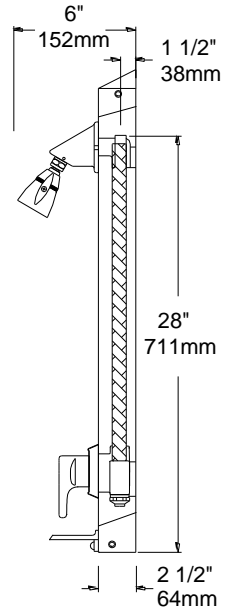
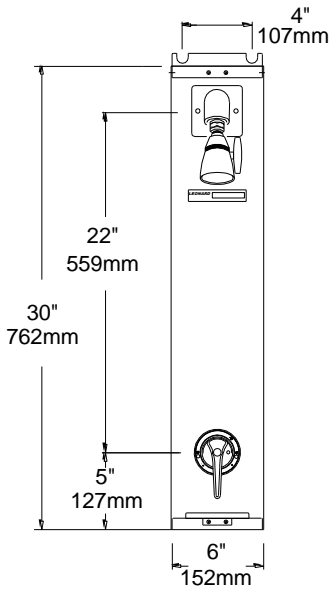
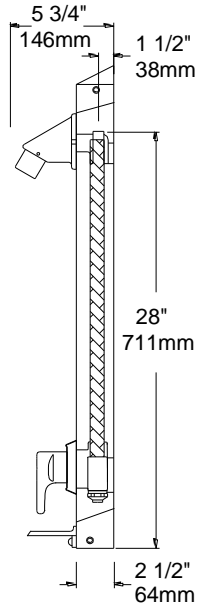
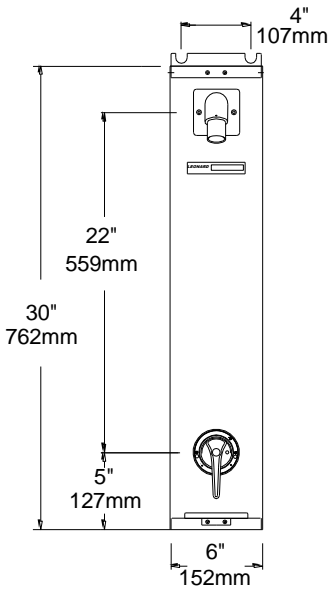
1360 Elmwood Avenue, Cranston, RI 02910 USA

Phone: 401.461.1200 Fax: 401.941.5310

Email: [info@leonardvalve.com](mailto:info@leonardvalve.com)

Web Site: <http://www.leonardvalve.com>

# Thermostatic Models



## SUFFIX VX (For SS-7600-100/3ISA)

**VX Length:**

**To calculate:**

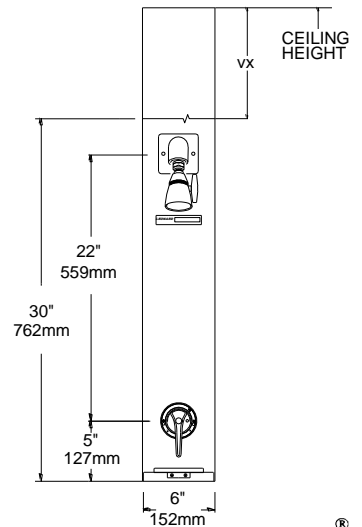
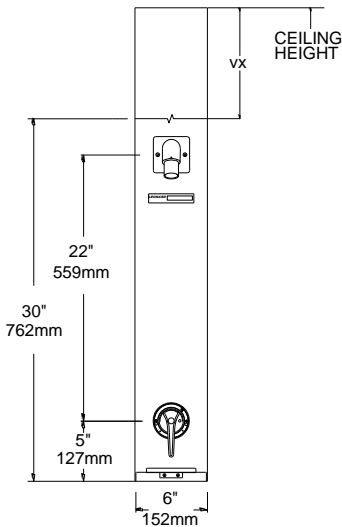
**VX Length = Ceiling height  
minus shower head height  
minus 5" (127mm)**

## SUFFIX VX (For SS-7600-104(102)(H-15))

**VX Length:**

**To calculate:**

**VX Length = Ceiling height minus  
shower head height minus 7 1/2"  
(191mm) (-104)  
minus 8 1/4" (209mm) (-102)(H-15)**



1360 Elmwood Avenue, Cranston, RI 02910 USA

Phone: 401.461.1200 Fax: 401.941.5310

Email: [info@leonardvalve.com](mailto:info@leonardvalve.com)

Web Site: <http://www.leonardvalve.com>