

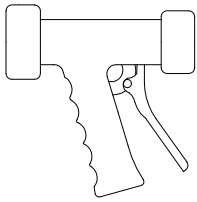
INDUSTRY HOSE STATIONS

Submittal Data Sheet S-1560
August, 2018

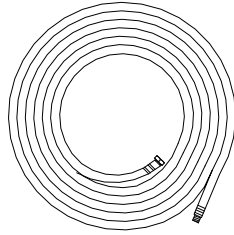
HOSE STATION ACCESSORIES

HEAVY DUTY HOSE NOZZLES HOSE RACK

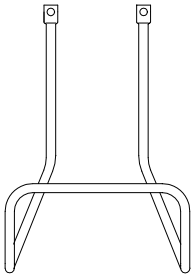
N2



HDH



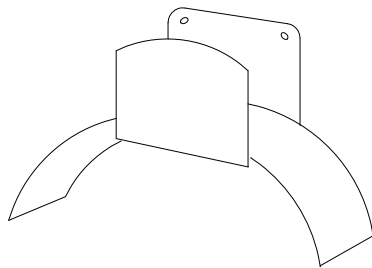
HR



N3



HDHR



___ HDH-HEAVY DUTY HOSE

- 3/4" EPDM cream color cover
- High temperature resistance 180°F (82°C) @ 200 PSI (13.7 Bar) 200°F (93°C) @ 50 PSI (3.4 Bar)
- Couplings
- Special lengths available upon request
 - ___ 75 HDH, seventy five feet (23 meters)
 - ___ 50 HDH, fifty feet (15.2 meters)
 - ___ 25 HDH, twenty five feet (7.6 meters)
 - ___ 20 HDH, twenty feet (6.1 meters)
 - ___ 15 HDH, fifteen feet (4.6 meters)
 - ___ 10 HDH, ten feet (3 meters)
 - ___ 5 HDH, five feet (1.5 meters)

OPTIONS:

- ___ SUFFIX SP - Stainless steel spring protector, one end
- ___ SUFFIX SW - Bronze swivel protector

___ HOSE NOZZLES

- Utilized in high temperature industrial applications which do not exceed 180°F (82.2°C)
- Finger-touch spray control
- Self-closing automatic shutoff
- Internal parts of bronze, brass, or stainless steel
 - ___ N-2 - Standard nozzle 1/2" NPT connection
 - ___ N-3 - Straight nozzle with brass open end, chrome plated

___ HR-HOSE RACK

- Durable stainless steel construction with integral mounting brackets. Fits up to 35' of HDH hose.

___ HDHR- HEAVY DUTY HOSE RACK

- Heavy duty hose rack, stainless steel welded construction 1/8" bracket, 1/4" rack #4 finish



WARNING: This product can expose you to chemicals including lead, which is known to the State of California to cause cancer. For more information, go to www.P65Warnings.ca.gov

Job # _____

Arch/Eng. _____

Contractor _____

NOTE: Not designed for use with live steam.

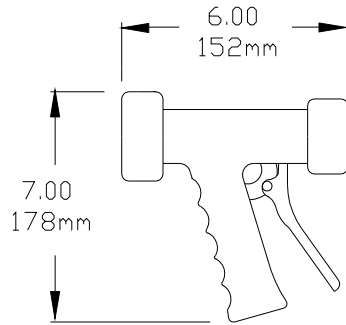
NOTE! Leonard Hose Stations are designed to mix water and steam or hot and cold water for wash down applications at temperatures no greater than 180°F (82.2°C) and with supply pressures as noted in valve specification.



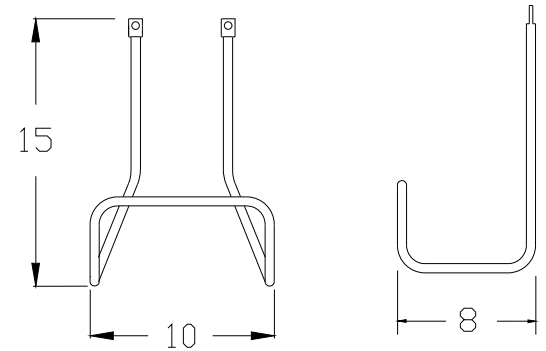
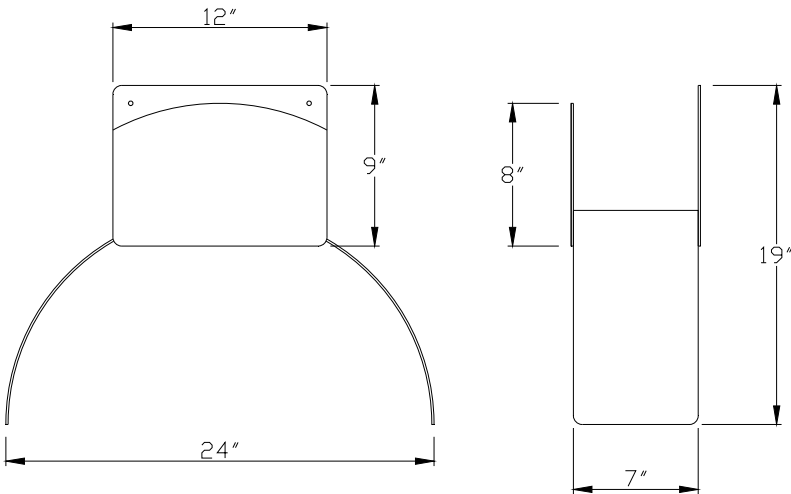
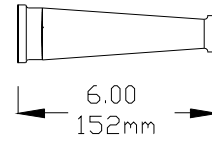
1360 Elmwood Avenue, Cranston, RI 02910 USA
Phone: 401.461.1200 Fax: 401.941.5310
Email: info@leonardvalve.com
Web Site: <http://www.leonardvalve.com>

HOSE STATION ACCESSORIES

N-2 NOZZLE



N-3 NOZZLE



HR-HOSE RACK

HDHR-HOSE RACK

NOTE: Leonard Valve Company reserves the right of product or design modifications without notice or obligation.

NOTE! Not designed for use with live steam.

NOTE! Leonard Hose Stations are designed to mix water and steam or hot and cold water for wash down applications at temperatures no greater than 180°F (82.2°C) and with supply pressures as noted in valve specification.

Engineer's Approval



1360 Elmwood Avenue, Cranston, RI 02910 USA
 Phone: 401.461.1200 Fax: 401.941.5310
 Email: info@leonardvalve.com
 Web Site: <http://www.leonardvalve.com>