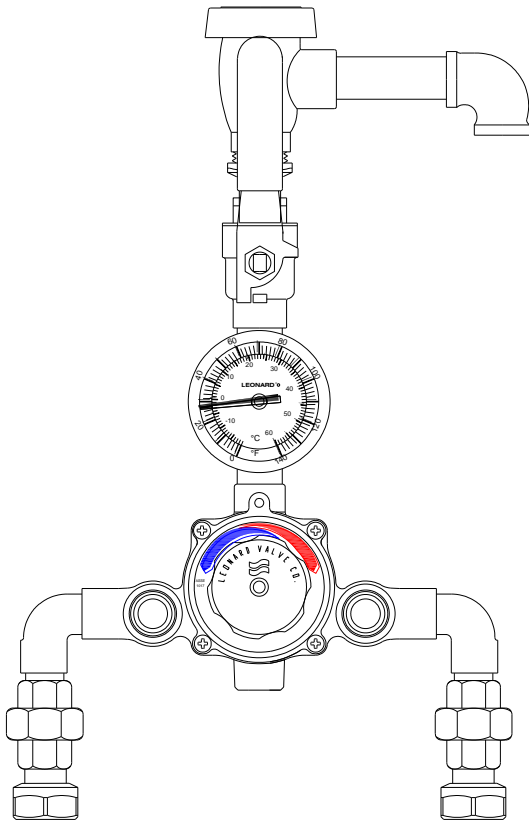


# Thermostatic MIXING VALVES

## ECO-MIX™



# Hydrotherapy Control Units

Whirlpool Bath  
Arm-Leg-Hip-Lower Lumbar Bath

\_\_\_ TM-504-26-LF 3/4" inlets and outlet

- Thermostatic Water Mixing Valve with 1 GPM (3.8 l/min) minimum flow capacity
- 3/4" inlets, 3/4" outlet (19 mm x 19 mm), threaded
- Dura-trol® solid bimetal thermostat directly linked to valve porting to control the intake of hot and cold water and compensate for supply temperature or pressure fluctuations. Dura-trol® is highly responsive and cannot be damaged by extremes in temperature
- Integral combination checkstops with wall support
- Adjustable high temperature limit stop set for 120° F (49° C) \*
- Maximum operating pressure: 125 PSI (860 KPA)
- Locking temperature regulating handle
- Internal parts of lead-free bronze and stainless steel
- Outlet volume control / shutoff, thermometer, vacuum breaker
- Bottom inlets, side outlet
- Factory assembled and tested
- Rough bronze finish

Valve is ASSE 1017 Certified



Valve is CSA Certified



### OPTIONS:

\_\_\_ SUFFIX CP - Chrome plated finish

**\*NOTE:** A limit stop, set for 120°F (49°C), is simply a mechanical setting to prevent excessive handle rotation. If incoming water is hotter than 150°F (65.5°C), the temperature of the factory test, the valve when turned to full HOT may deliver water in excess of 120°F and the limit stop **MUST BE RESET BY THE INSTALLER**

Note: Leonard Valve Company reserves the right of product, or design modifications without notice or obligation.



**WARNING:** This product can expose you to chemicals including lead, which is known to the State of California to cause cancer. For more information, go to [www.P65Warnings.Ca.gov](http://www.P65Warnings.Ca.gov)

Valve is certified to meet Low-Lead requirements of wetted surface area containing less than 0.25% lead by weight. All other fittings and components, the sum total of which comprise the wetted surface of this product, contain less than one quarter of one percent of lead by weight.

Engineer's Approval

Job # \_\_\_\_\_

Arch/Eng. \_\_\_\_\_

Contractor \_\_\_\_\_



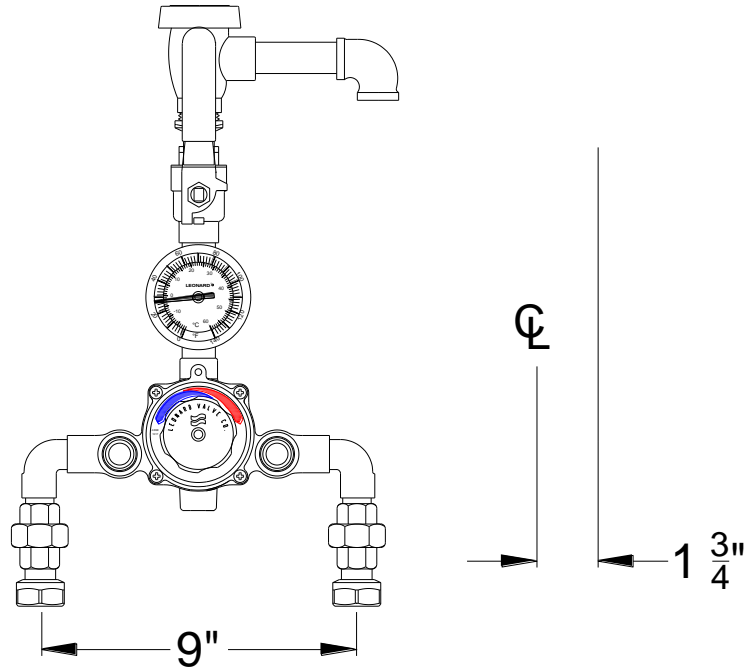
1360 Elmwood Avenue, Cranston, RI 02910 USA

Phone: 401.461.1200 Fax: 401.941.5310

Email: [info@leonardvalve.com](mailto:info@leonardvalve.com)

Web Site: <http://www.leonardvalve.com>

# TM-504-26-LF



MODEL	IN	OUT	MINIMUM FLOW (GPM) (l/min)	SYSTEM PRESSURE DROP (PSIG)										PSI BAR
				5	10	15	20	25	30	35	40	45	50	
TM-26-LF	3/4"	3/4"	1.0	7	10	13	15	17	19	21	23	25	26	GPM
			3.7	26	38	49	57	64	72	80	87	95	98	l/min

**CAUTION!** All thermostatic water mixing valves have limitations. They will NOT provide the desired accuracy outside of their flow capacity range. Consult the Flow Capacity Chart and DO NOT OVERSIZE. Minimum flow must be no less than as indicated.



1360 Elmwood Avenue, Cranston, RI 02910 USA

Phone: 401.461.1200 Fax: 401.941.5310

Email: [info@leonardvalve.com](mailto:info@leonardvalve.com)

Web Site: <http://www.leonardvalve.com>