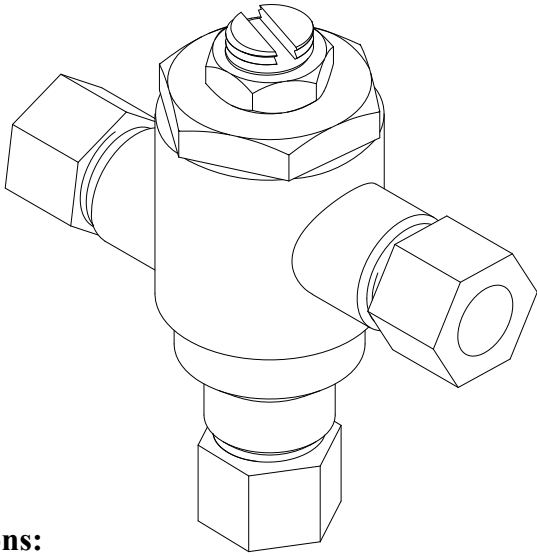
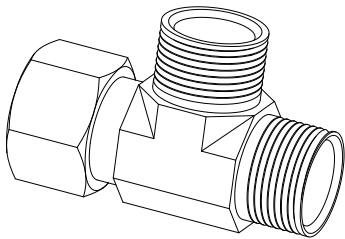


170A-LF

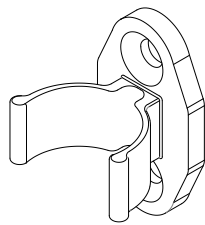


Options:

- STSTL REC- Stainless steel cabinet, #4 finish, recessed
- STSTL EXP- Stainless steel cabinet, #4 finish, exposed
- BWE REC- Steel cabinet, baked white, recessed
- BWE EXP- Steel cabinet, baked white, exposed
- BP- Cold water By-Pass (shipped loose)
- BRKT- mounting bracket (shipped loose)
- CP- Chrome plated finish



BP option



BRKT option



WARNING: This product can expose you to chemicals including lead, which is known to the State of California to cause cancer. For more information, go to www.P65Warnings.Ca.gov

* This product is certified to meet Low Lead requirements of wetted surface area containing less than 0.25% lead by weight

Application:

The Model 170A-LF is a high performance thermostatic temperature limiting device used to supply single outlets. Can be used to supply one sensor faucet or one two handle manual faucet.


Features:


- Certified to ASSE 1070 to control down to 0.25 GPM
- Eco-Mix Certified Lead-Free* construction
- Integral inlet checks and stainless steel screens
- Vandal resistant locknut to prevent accidental adjustment
- Easy 3/8" tubing or flex hose installation

Specifications:

- Minimum flow: 0.25 GPM (0.95 l/Min) Certified to ASSE
- Maximum flow: 4 GPM
- Maximum pressure: 125 PSI (8.6 BAR)
- Maximum hot water temperature: 180°F (82°C)
- Hot water inlet temperature range: 120-180°F (49-82°C)
- Cold water inlet temperature range: 33-80°F (1-27°C)
- Temperature adjustment range: 95-120°F (35-49°C)

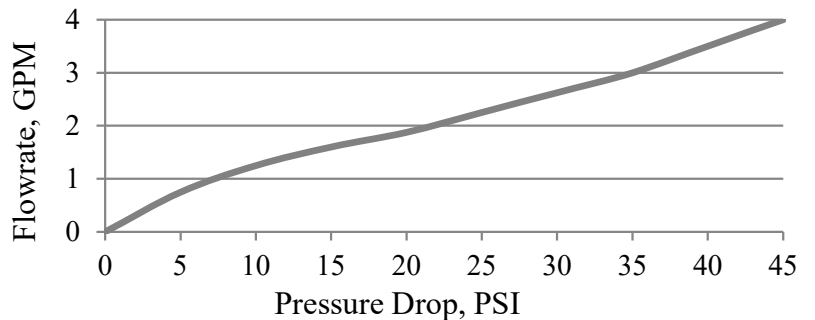
Certifications:

ASSE 1070-2015 

CSA B125.70-15 

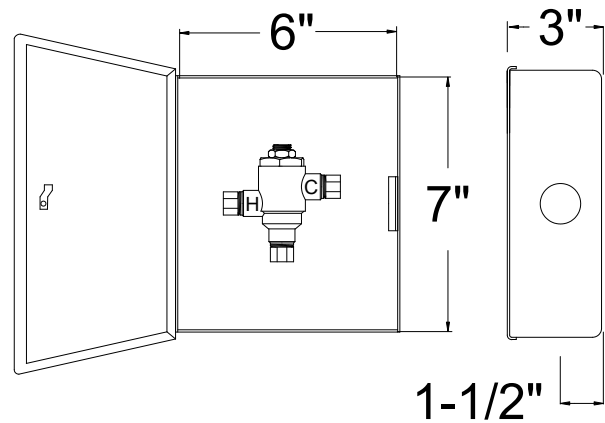
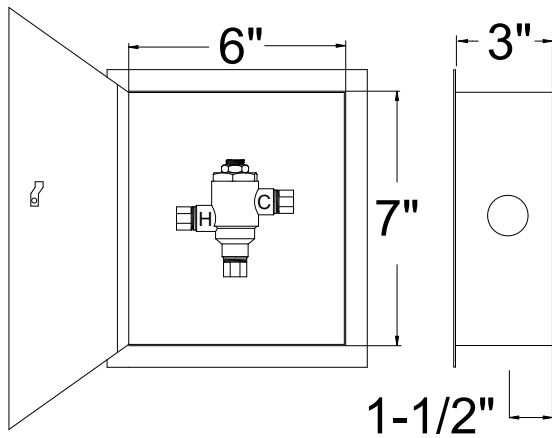
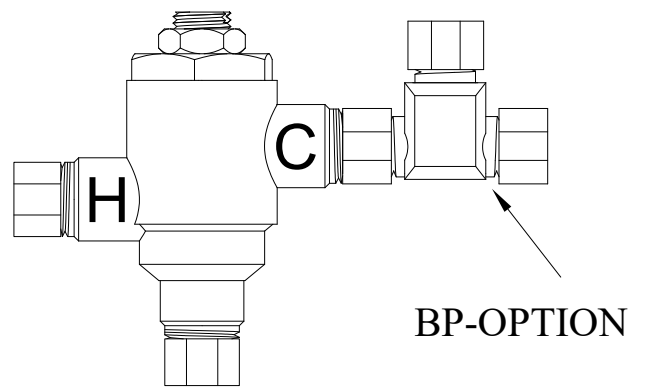
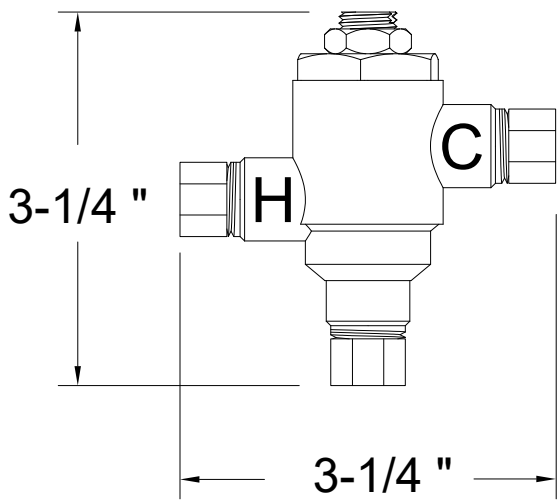
Certified to NSF61 thru the ASSE 1070 testing process

| PRESSURE DROP | | | | | | |
|---------------|------|------|------|------|-----|-------|
| 5 | 10 | 15 | 20 | 30 | 45 | PSI |
| .35 | .70 | 1.05 | 1.4 | 2.1 | 3.1 | BAR |
| 0.75 | 1.25 | 1.6 | 1.88 | 2.63 | 4 | GPM |
| 2.84 | 4.73 | 6.06 | 7.1 | 10 | 15 | L/MIN |



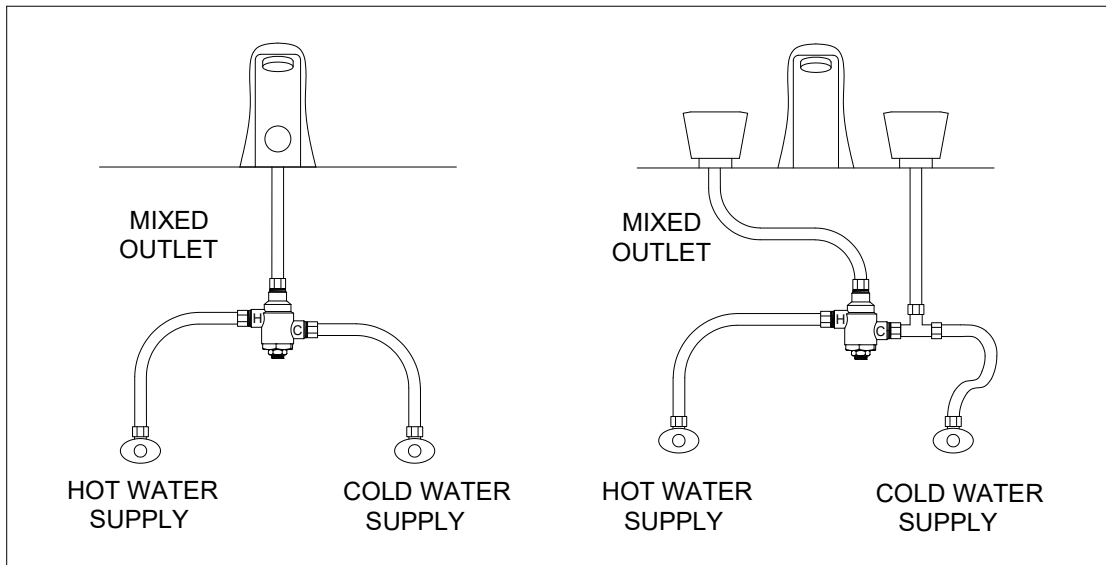
1360 Elmwood Avenue, Cranston, RI 02910 USA
Phone: 401.461.1200 Fax: 401.941.5310
Email: info@leonardvalve.com
Web Site: <http://www.leonardvalve.com>

| | |
|----------------------------|------------------|
| Engineer's Approval | Job # _____ |
| | Arch/Eng. _____ |
| | Contractor _____ |



170A-LF-REC

170A-LF-EXP



170A-LF

170A-LF-BP



Note: Leonard Valve Company reserves the right of product, or design modifications without notice or obligation.

1360 Elmwood Avenue, Cranston, RI 02910 USA

Phone: 401.461.1200 Fax: 401.941.5310

Email: info@leonardvalve.com

Web Site: <http://www.leonardvalve.com>

© 2024 Leonard Valve Company
Printed in USA