

170A-LF

Submission Data Sheet S-170A-LF
September 18, 2024

Application:

The Model 170A-LF is a high performance thermostatic temperature limiting device used to supply single outlets. Can be used to supply one sensor faucet or one two handle manual faucet.

Features:

- Certified to ASSE 1070 to control down to 0.25 GPM
- Eco-Mix Certified Lead-Free* construction
- Integral inlet checks and stainless steel screens
- Vandal resistant locknut to prevent accidental adjustment
- Easy 3/8" tubing or flex hose installation
- Mounting Bracket is included with every valve, begins 10/2024

Specifications:

- Minimum flow: 0.25 GPM (0.95 l/Min) Certified to ASSE
- Maximum flow: 4 GPM
- Maximum pressure: 125 PSI (8.6 BAR)
- Maximum hot water temperature: 180°F (82°C)
- Hot water inlet temperature range: 120-180°F (49-82°C)
- Cold water inlet temperature range: 33-80°F (1-27°C)
- Temperature adjustment range: 95-120°F (35-49°C)

Certifications:

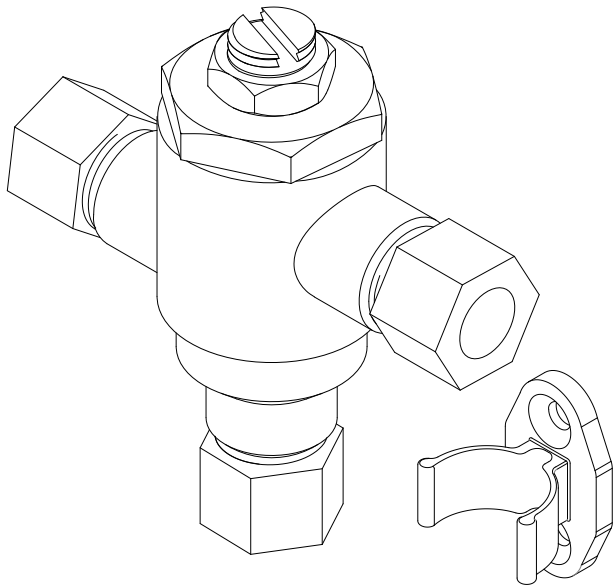
ASSE 1070-2015



CSA B125.70-15



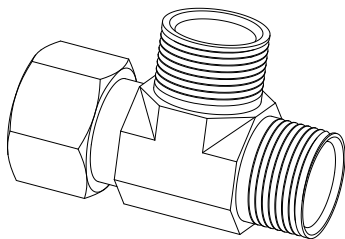
Certified to NSF61 thru the ASSE 1070 testing process



Options:

- STSTL REC- Stainless steel cabinet, #4 finish, recessed
- STSTL EXP- Stainless steel cabinet, #4 finish, exposed
- BWE REC- Steel cabinet, baked white, recessed
- BWE EXP- Steel cabinet, baked white, exposed
- BP- Cold water By-Pass (shipped loose)
- CP- Chrome plated finish

NOTE: BRKT is now included in every valve



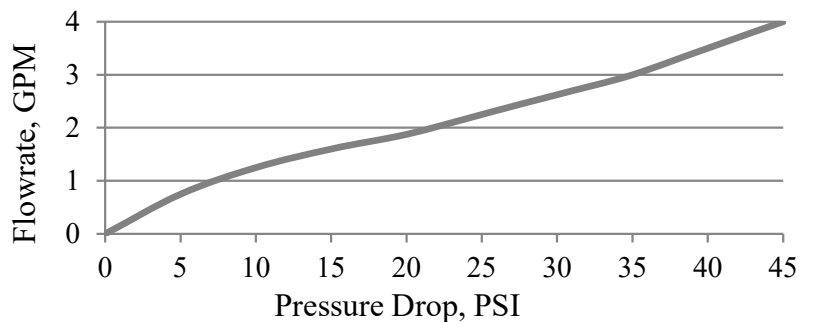
BP option



WARNING: This product can expose you to chemicals including lead, which is known to the State of California to cause cancer. For more information, go to www.P65Warnings.Ca.gov

* This product is certified to meet Low Lead requirements of wetted surface area containing less than 0.25% lead by weight

PRESSURE DROP						
5	10	15	20	30	45	PSI
.35	.70	1.05	1.4	2.1	3.1	BAR
0.75	1.25	1.6	1.88	2.63	4	GPM
2.84	4.73	6.06	7.1	10	15	L/MIN



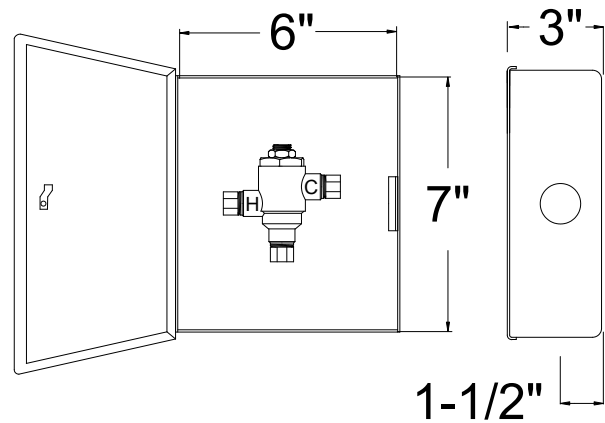
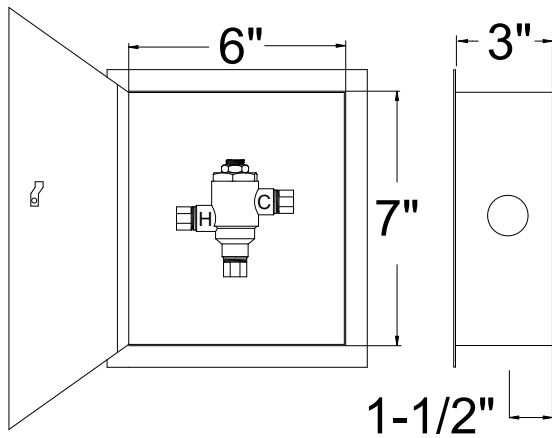
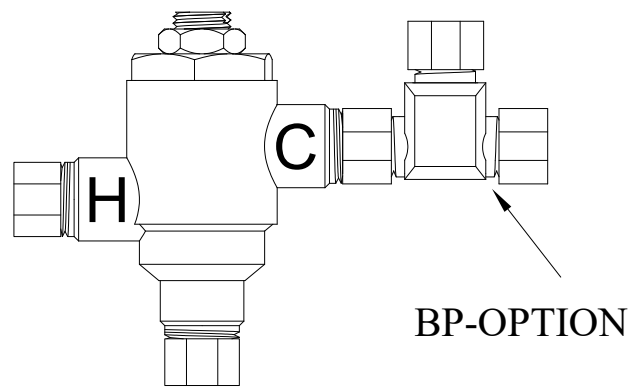
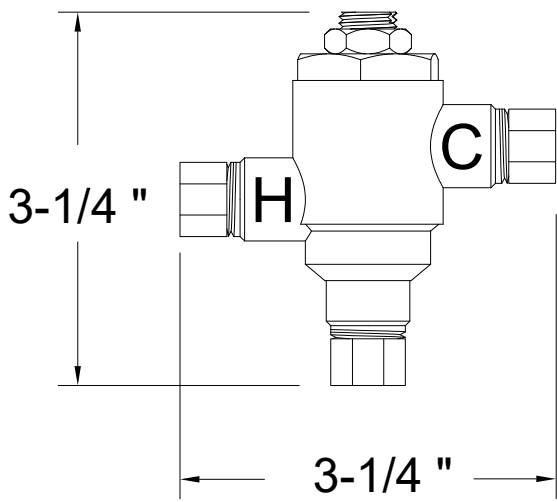
1360 Elmwood Avenue, Cranston, RI 02910 USA

Phone: 401.461.1200 Fax: 401.941.5310

Email: info@leonardvalve.com

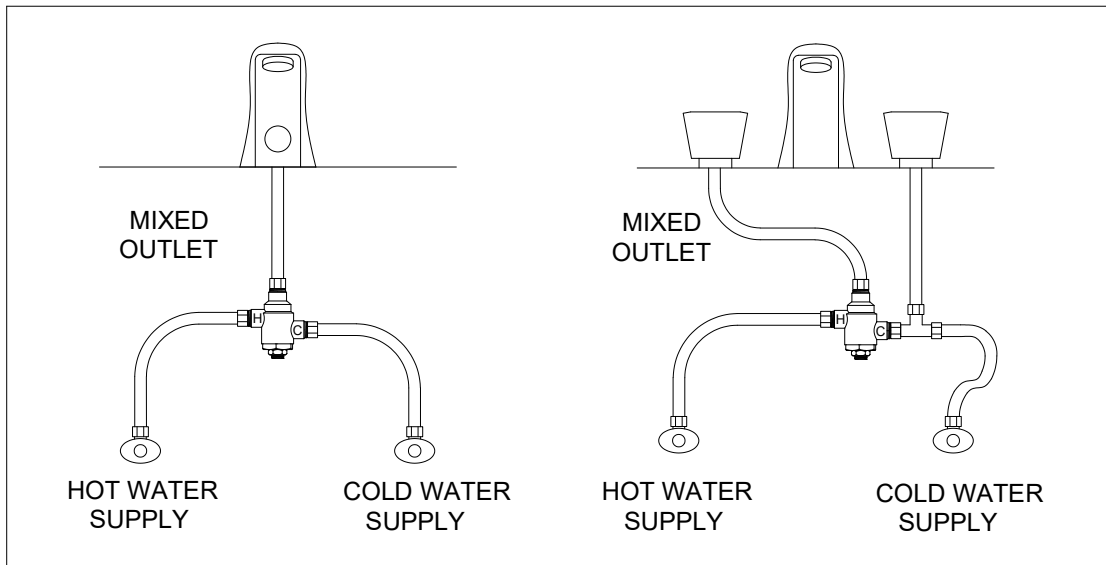
Web Site: <http://www.leonardvalve.com>

Engineer's Approval	Job # _____
	Arch/Eng. _____
	Contractor _____



170A-LF-REC

170A-LF-EXP



170A-LF

170A-LF-BP



Note: Leonard Valve Company reserves the right of product, or design modifications without notice or obligation.

1360 Elmwood Avenue, Cranston, RI 02910 USA

Phone: 401.461.1200 Fax: 401.941.5310

Email: info@leonardvalve.com

Web Site: <http://www.leonardvalve.com>

© 2024 Leonard Valve Company
Printed in USA