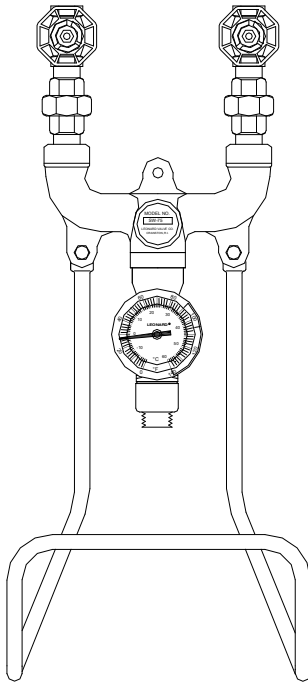


INDUSTRIAL HOSE STATIONS

ECO-MIX™

STAINLESS STEEL MANUAL BLENDER HOSE STATIONS

ST-75-LF-ED ST-75-LF-E



ST-75-LF-ED



WARNING: This product can expose you to chemicals including lead, which is known to the State of California to cause cancer. For more information, go to www.P65Warnings.Ca.gov

NOTE: Hose and nozzle not included. If required, please attach separate submittal sheet.

NOTE: Vacuum breakers NOT available

This Product is Third Party certified to meet national Low Lead requirements of AB 1953 where wetted surface area is required to be less than 0.25% lead by weight.

Mix hot & cold water or steam and cold water

ST-75-LF-ED

- Manual Blender, #316 stainless steel body construction with stainless steel internal components
- 3/4" IPS inlets will control hot and cold water or steam and water
- Two stop and check valves with color coded heat resistant handles on inlets, #316 stainless steel body construction with stainless steel internal components
- Mixing chamber with jet, #316 stainless steel body construction with stainless steel internal components
- 3/4" outlet with dial thermometer (20 to 240°F, -5 to 115°C)
- Hose connection
- Stainless steel hose rack
- 40 PSI (2.8 bar) minimum operating pressure
- 125 PSI (8.6 bar) maximum operating pressure mixing hot and cold water only
- 80 PSI (5.5 bar) maximum operating pressure mixing steam and cold water

ST-75-LF-E

- Less dial thermometer

OPTIONS:

- 18100 – Stainless steel mounting plate
- LHR – Less Hose Rack
- BV – Stainless steel ball valve and check valve substitute for globe valves

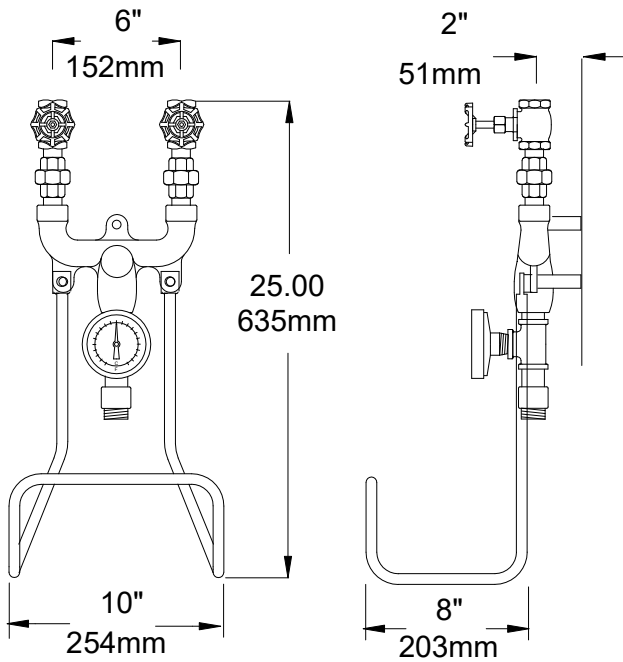
Engineer's Approval	Job # _____
	Arch/Eng. _____
	Contractor _____



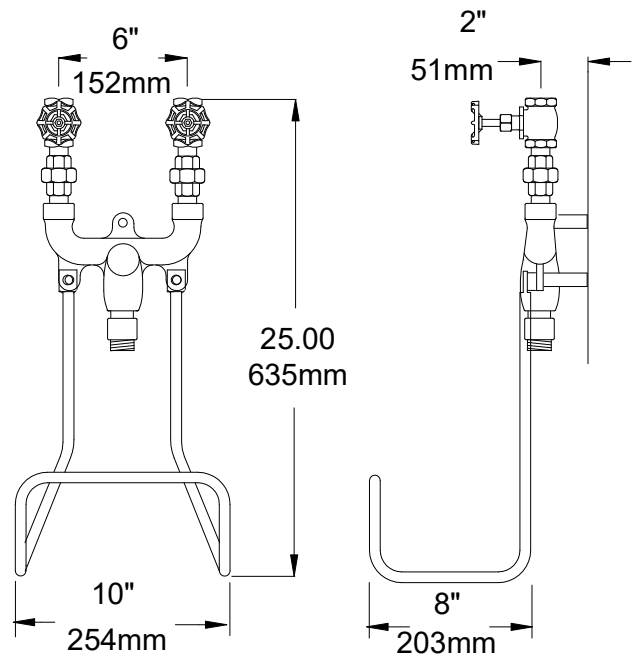
1360 Elmwood Avenue, Cranston, RI 02910 USA
Phone: 401.461.1200 Fax: 401.941.5310
Email: info@leonardvalve.com
Web Site: <http://www.leonardvalve.com>

MANUAL BLENDERS

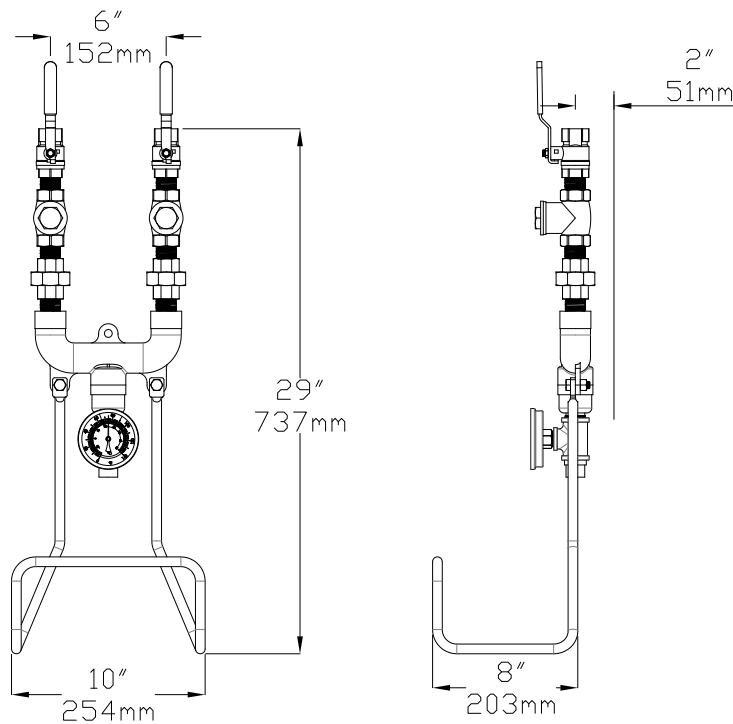
ST-75-LF-ED



ST-75-LF-E



ST-75-LF-ED-BV



Leonard Valve Company reserves the right of product, or design modifications without notice or obligation.

© 2021 Leonard Valve Company
Printed in USA

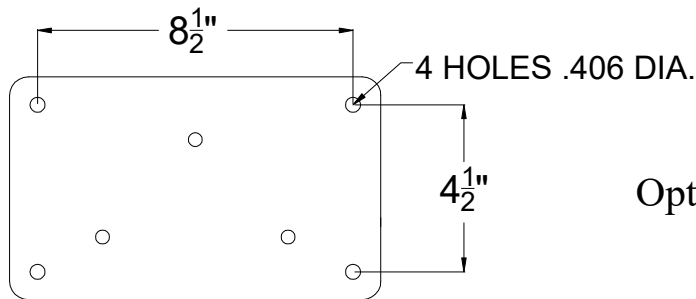
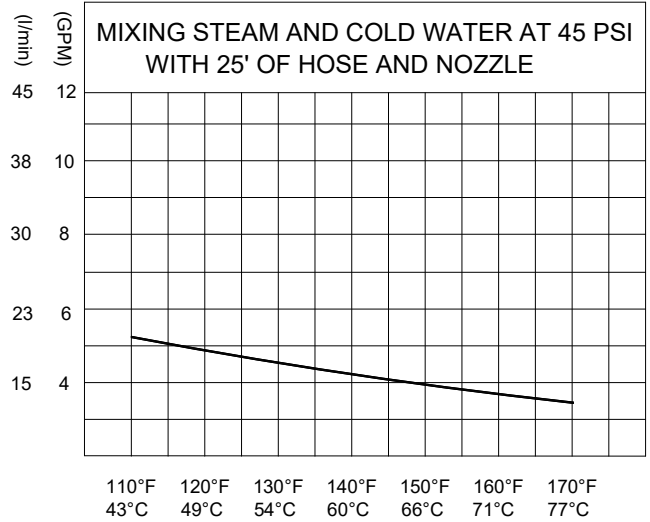
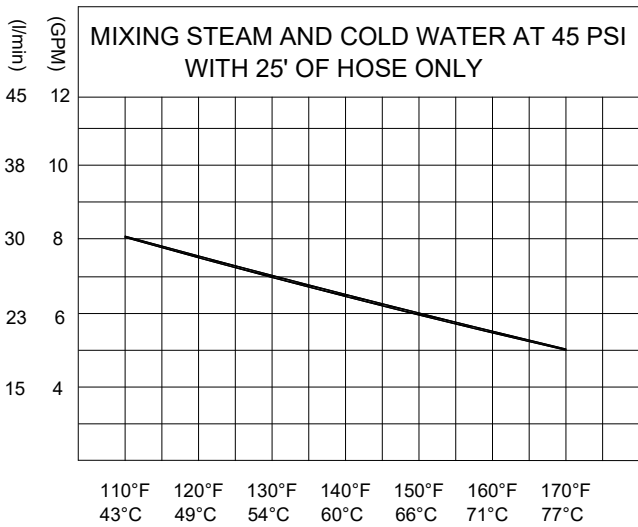
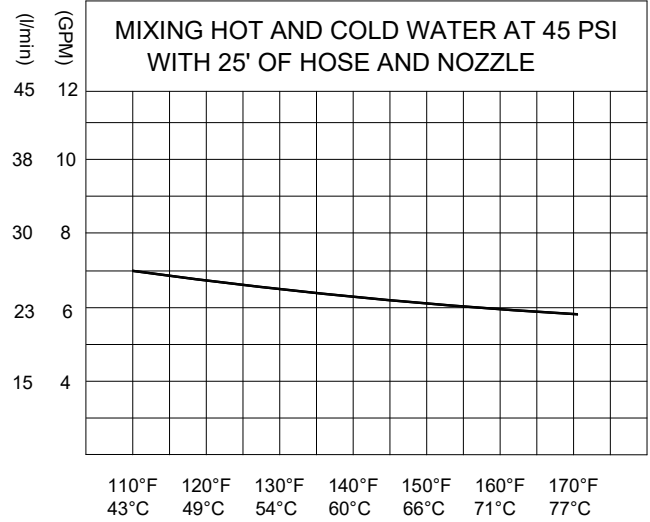
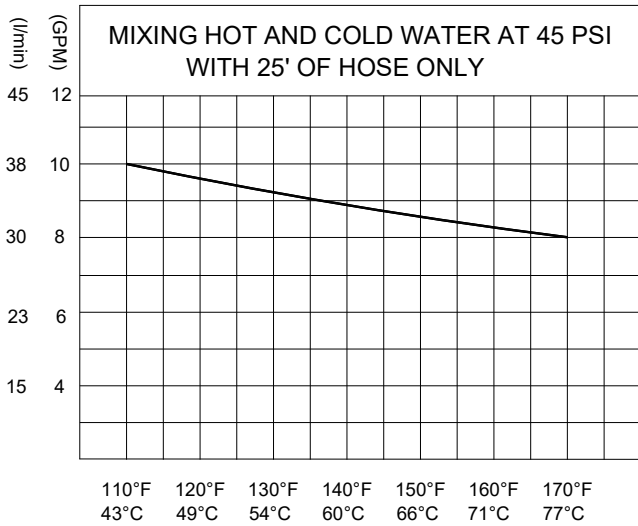


1360 Elmwood Avenue, Cranston, RI 02910 USA

Phone: 401.461.1200 Fax: 401.941.5310

Email: info@leonardvalve.com

MANUAL BLENDERS



Optional mounting plate shown

Leonard Valve Company reserves the right of product, or design modifications without notice or obligation.