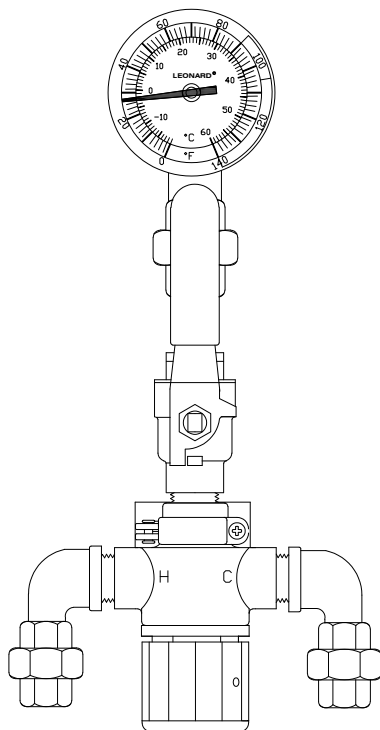


THERMOSTATIC MIXING VALVE

ECO-MIX™



MODEL-554-370-LF

Exposed Assembly

MODEL-554-370-LF 3/4" inlets and outlet

- Lead-Free Bronze body
- Locked temperature adjustment cap (vandal resistant)
- Copper encapsulated thermostat assembly with polymer thermoplastic shuttle
- Stainless steel springs
- Integral check valves on hot and cold inlets
- Minimum Flow: 0.5 GPM (1.9 l/Min)
- Maximum Pressure: 125 PSI (8.6 BAR)
- Maximum Hot Water temperature: 200°F- (93°C)
- Approach Temperature 5°F (2.8°C) above set point.
- Temperature adjustment range, 90-140°F (32-60°C) **
- Tempered outlet ball valve
- Unions on inlets and outlet
- Color coded dial thermometer (0 to 140°F, -10° to 60°C)
- Bottom inlets, top outlet, NPT Female
- Wall mounting bracket
- Factory assembled and tested

****NOTE:** For temperatures outside of this valve's stated range, please see our line of bi-metal valves.

PRESSURE DROP						
5	10	20	30	40	50	PSI
.35	.70	1.4	2.1	2.8	3.4	BAR
4	6	8	10	11.5	13	GPM
15	23	30	38	44	49	l/min

OPTIONS:

 SUFFIX CP - Chrome plated finish

Certifications:

Valve is ASSE 1017, 1070



Valve is CSA



Valve is Certified to NSF61 thru the ASSE 1070 testing process

Valve is certified to meet Low-Lead requirements of wetted surface area containing less than 0.25% lead by weight. All other fittings and components, the sum total of which comprise the wetted surface of this product, contains, less than one quarter of one percent of lead by weight.



1360 Elmwood Avenue, Cranston, RI 02910 USA

Phone: 401.461.1200 Fax: 401.941.5310

Email: info@leonardvalve.com

Web Site: <http://www.leonardvalve.com>



WARNING: Risk of cancer and reproductive harm from exposure to lead – See www.P65Warnings.ca.gov

Note: Leonard Valve Company reserves the right of product, or design modifications without notice or obligation.

Engineer's Approval	Job # _____
	Arch/Eng. _____
	Contractor _____
CAUTION! All thermostatic water mixing valves have limitations. They will NOT provide the desired accuracy outside of their flow capacity range. Consult the Flow Capacity Chart and DO NOT OVERSIZE. Minimum flow must be no less than as indicated.	