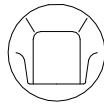
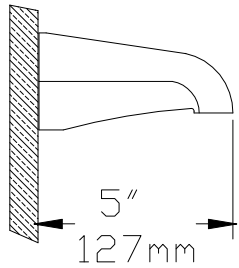
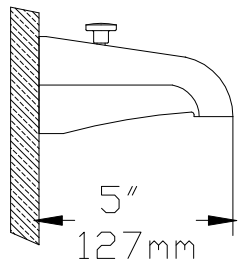


# TUB SPOUTS

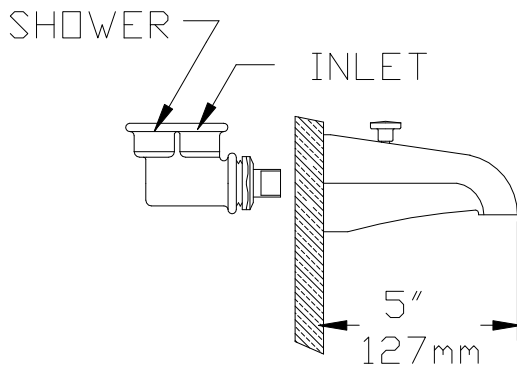


**TS**  
Tub spout  
1/2" IPS



**D**  
Diverter spout  
1/2" Slip-on type

**D (BR)**  
Diverter spout  
1/2" or 3/4" IPS  
Brass construction



**D-1**  
Diverter spout  
1/2" Slip-on type  
Twin Elbow

**D-1 (BR)**  
Diverter spout  
3/4" IPS  
Brass construction  
Twin Elbow

**Note:** The full brass tub spout “BR” version (TS-BR) is obsolete as of 5/2026



**WARNING:** This product can expose you to chemicals including lead, which is known to the State of California to cause cancer. For more information, go to [www.P65Warnings.Ca.gov](http://www.P65Warnings.Ca.gov)

<b>Engineer's Approval</b>	Job # _____
	Arch/Eng. _____
	Contractor _____